



RFS HYDRAULICS
CREATING OPPORTUNITIES



ELASTOMER O-RINGS

Features

- Known as a packing which is a loop of elastomer with a round cross-section.
- Designed to be seated in a groove and compressed during assembly between two parts, creating a seal at the interface and to prevent leakage.
- Inexpensive, easy to make, reliable and have simple mounting requirements.



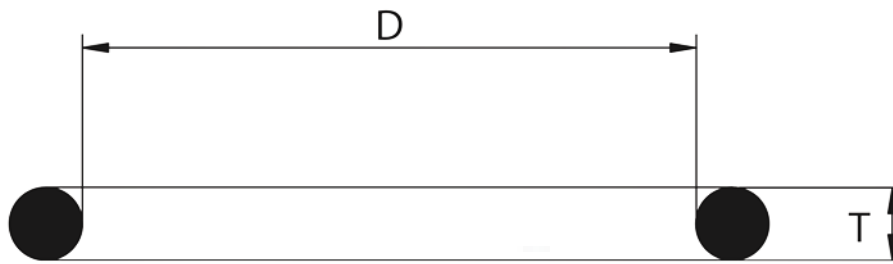
O-Rings

Material Specifications

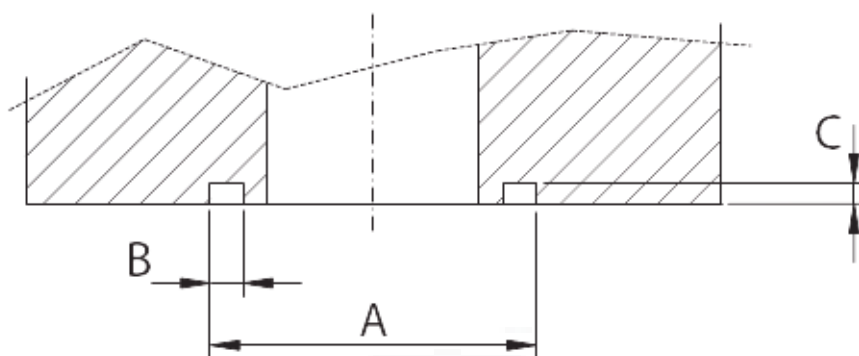
- NBR 70
- NBR 90
- Viton 90

Index

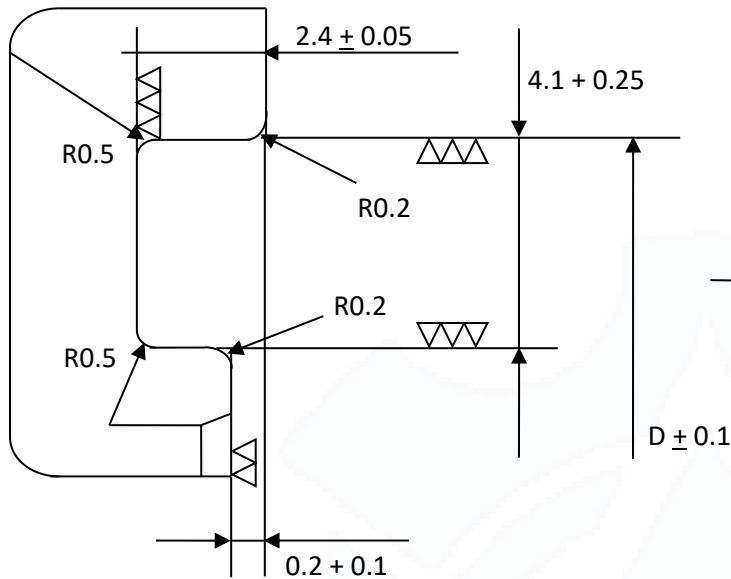
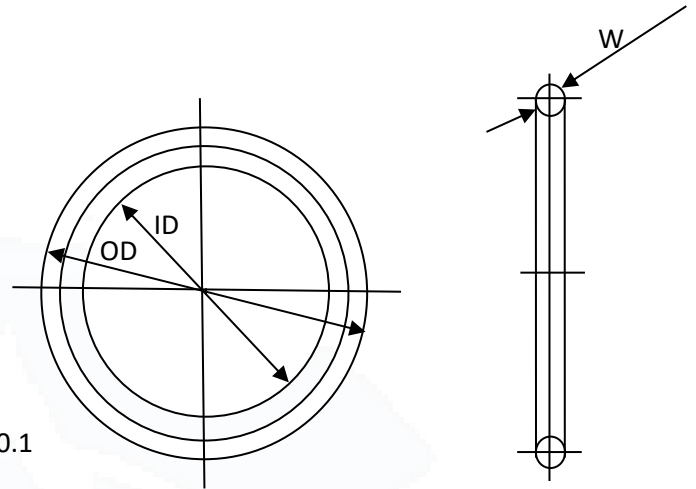
Type	Page No.
SAE O-ring	3
SAE O-ring Seat	4
Square Flanges SHAB 210 kgf/cm ² & SSAB 210 kgf/cm ² O-ring	5
Square Flanges KAB 280 kgf/cm ² & KAB 350 kgf/cm ² O-ring	6

SAE O-RING


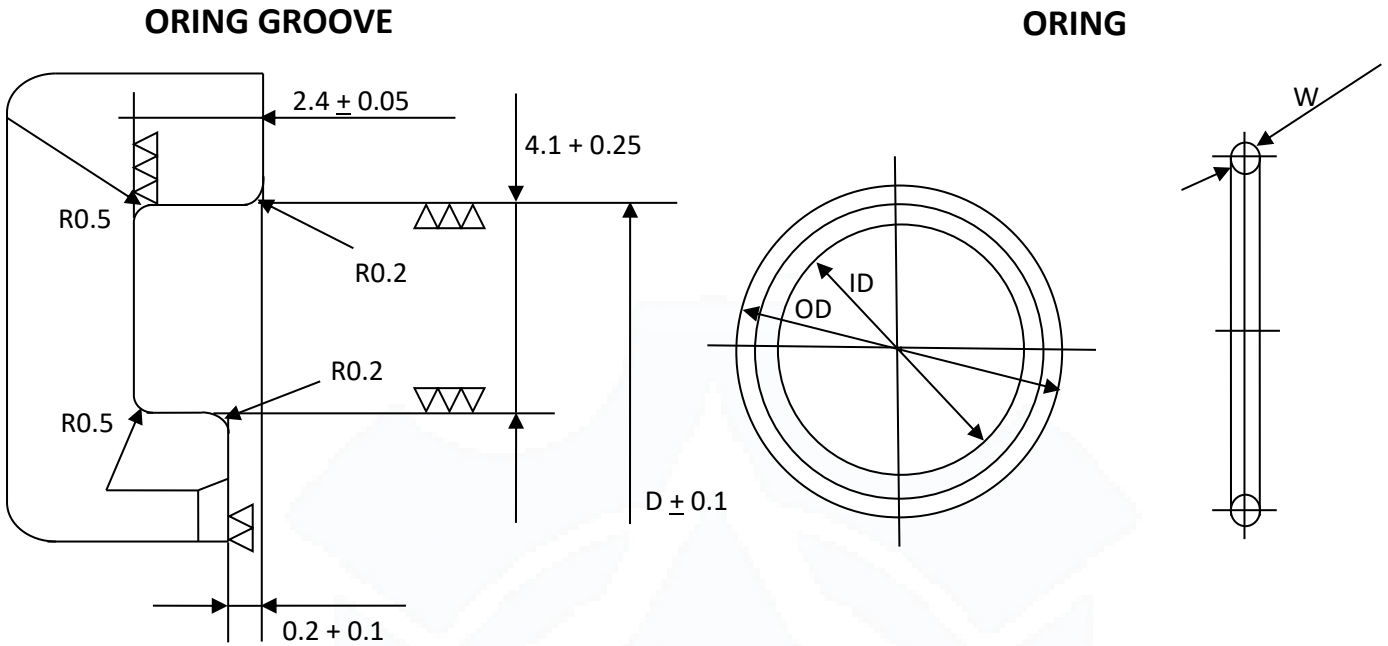
O-RING TYPE	D	T
121	15.88	2.62
132	23.81	2.62
144	39.69	3.53
150	46.04	3.53
156	52.39	3.53
2056	14.00	1.78
2075	18.77	1.78
2100	25.12	1.78
3068	17.13	2.62
3075	18.72	2.62
3100	25.07	2.62
3125	31.42	2.62
4075	18.64	3.53
4100	24.99	3.53
4112	28.17	3.53
4118	29.75	3.53
4131	32.93	3.53
4150	37.69	3.53
4187	47.22	3.53
4225	56.74	3.53
4237	59.92	3.53
4275	69.44	3.53
4337	85.32	3.53
4387	98.02	3.53
4437	110.7	3.53
4537	136.1	3.53
6225	56.52	5.34
6275	69.22	5.34
6300	75.57	5.34
6350	88.27	5.34
6387	97.79	5.34

SAE O-RING SEAT


O-RING TYPE	A	B	C
121	21	3.5	2.15
132	29	3.5	2.15
144	46	4.5	2.8
150	53	4.5	2.8
156	60	4.5	2.8
2056	18	2.5	1.3
2075	22	2.5	1.3
2100	28	2.5	1.3
3068	22	3.5	2.15
3075	24	3.5	2.15
3100	30	3.5	2.15
3125	36.5	3.5	2.15
4075	25.5	4.5	2.8
4100	31.9	4.5	2.8
4112	35	4.5	2.8
4118	37	4.5	2.8
4131	39.7	4.5	2.8
4150	44.6	4.5	2.8
4187	54	4.5	2.8
4225	63.5	4.5	2.8
4237	67	4.5	2.8
4275	76.3	4.5	2.8
4337	92.1	4.5	2.8
4387	104.5	4.5	2.8
4437	117	4.5	2.8
4537	143	4.5	2.8
6225	68	7	4.5
6275	80	7	4.5
6300	86	7	4.5
6350	98	7	4.5
6387	108	7	4.5

SQUARE FLANGES SHAB 210 KGF/CM² & SSAB 210 KGF/CM² O-RING
ORING GROOVE

ORING

SHAB & SSAB (210 KGF/CM²) ORING DIMENSION

SIZE	INCH	PART NUMBER	DIMENSIONS		
			OD	ID	W
8	1/4"	G25	30.60	24.40	3.1
10	3/8"	G25	30.60	24.40	3.1
15	1/2"	G25	30.60	24.40	3.1
20	3/4"	G30	35.60	29.40	3.1
25	1"	G35	40.60	34.40	3.1
32	1 1/4"	G40	45.60	39.40	3.1
40	1 1/2"	G50	55.60	49.40	3.1
50	2"	G60	65.60	59.40	3.1
65	2 1/2"	G75	80.60	74.40	3.1
80	3"	G85	90.60	84.40	3.1
100	4"	G105	110.60	104.40	3.1
125	5"	G130	135.60	129.40	3.1
150	6"	G155	165.70	154.30	5.7

SQUARE FLANGES KAB 280 KGF/CM² & KAB 350 KGF/CM² O-RING

KAB (280 KGF/CM²) ORING DIMENSION

SIZE	INCH	PART NUMBER	DIMENSIONS		
			OD	ID	W
15	1/2"	P20	24.60	19.80	2.40
20	3/4"	G25	30.60	24.40	3.10
25	1"	G30	35.60	29.40	3.10
32	1 1/4"	G40	45.60	39.40	3.10
40	1 1/2"	G45	50.60	44.40	3.10
50	2"	G55	60.60	54.40	3.10
65	2 1/2"	G70	75.60	69.40	3.10
80	3"	G80	85.60	79.40	3.10

KAB (350 KGF/CM²) ORING DIMENSION

SIZE	INCH	PART NUMBER	DIMENSIONS		
			OD	ID	W
15	1/2"	P20	24.60	19.80	2.40
20	3/4"	G25	30.60	24.40	3.10
25	1"	G30	35.60	29.40	3.10
32	1 1/4"	G35	40.60	34.40	3.10
40	1 1/2"	G40	45.60	39.40	3.10
50	2"	G50	55.60	49.40	3.10
65	2 1/2"	G60	65.60	59.40	3.10
80	3"	G70	75.60	69.40	3.10

RFS Hydraulics

Conditions of Use of Catalogue:

The information in the catalogue are not binding and in order to improve distribution, RFS Hydraulics Sdn Bhd reserves the right to make any change including size and pressure ratings considered necessary at any time and without prior notice. According to the copyright and the civil law, any reproduction (also partial) of figures and texts of this catalogue by means of electronic, mechanical, photocopies, microfilms, recordings or other is forbidden without RFS Hydraulics Sdn Bhd's authorization.
Catalogue Version: 2020