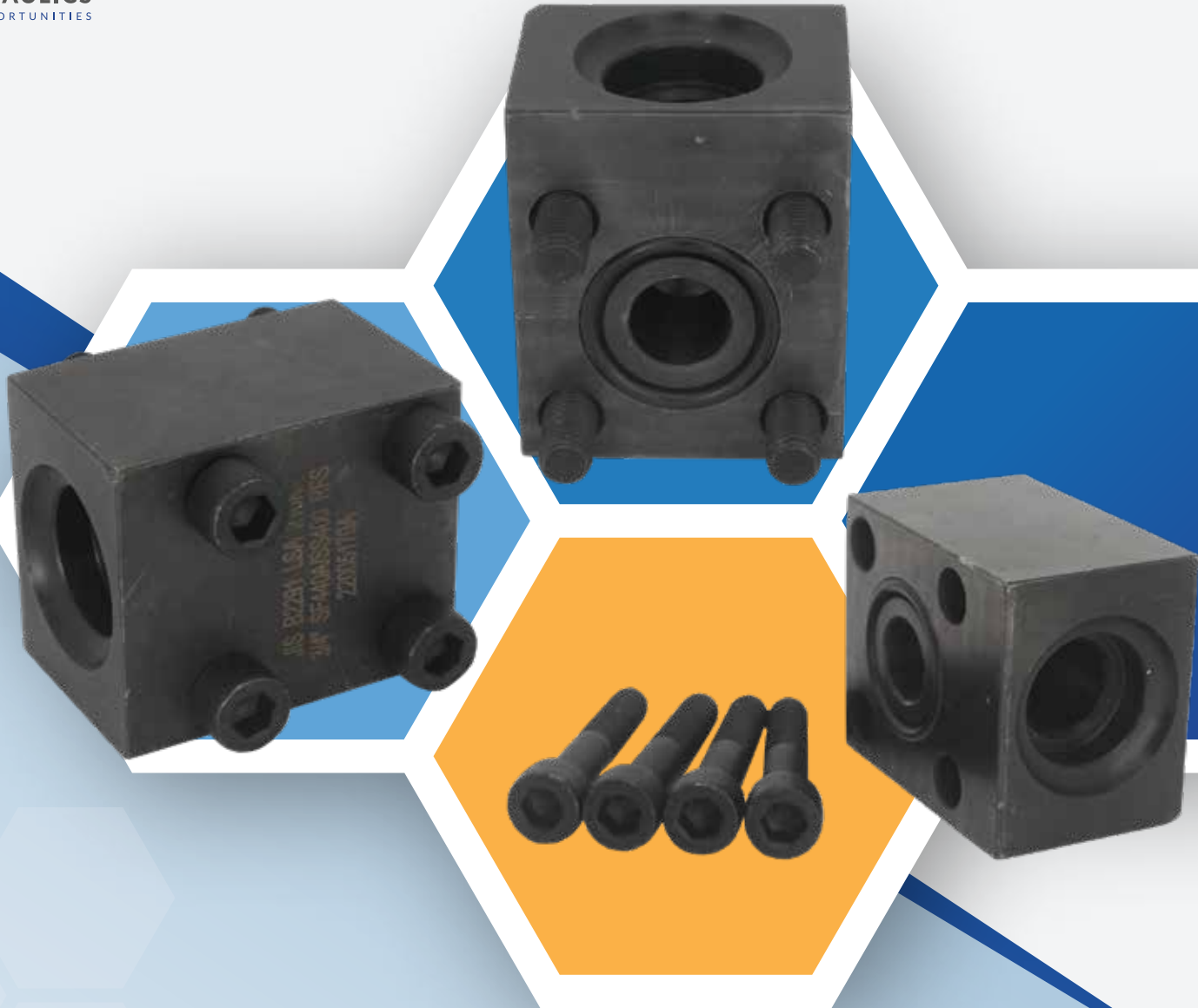




RFS HYDRAULICS
CREATING OPPORTUNITIES



SQUARE FLANGES

LSA Square Flanges

Specifications

JIS B2291 – Socket Welding Pipe Flanges to be used for Pressures of 210 kgf/cm²

Material Specifications:

SF440A Hydraulic Steel

Size Range:

SF440A Hydraulic Steel

Working Pressure:

LSA Square Flanges: 210kgf/cm²

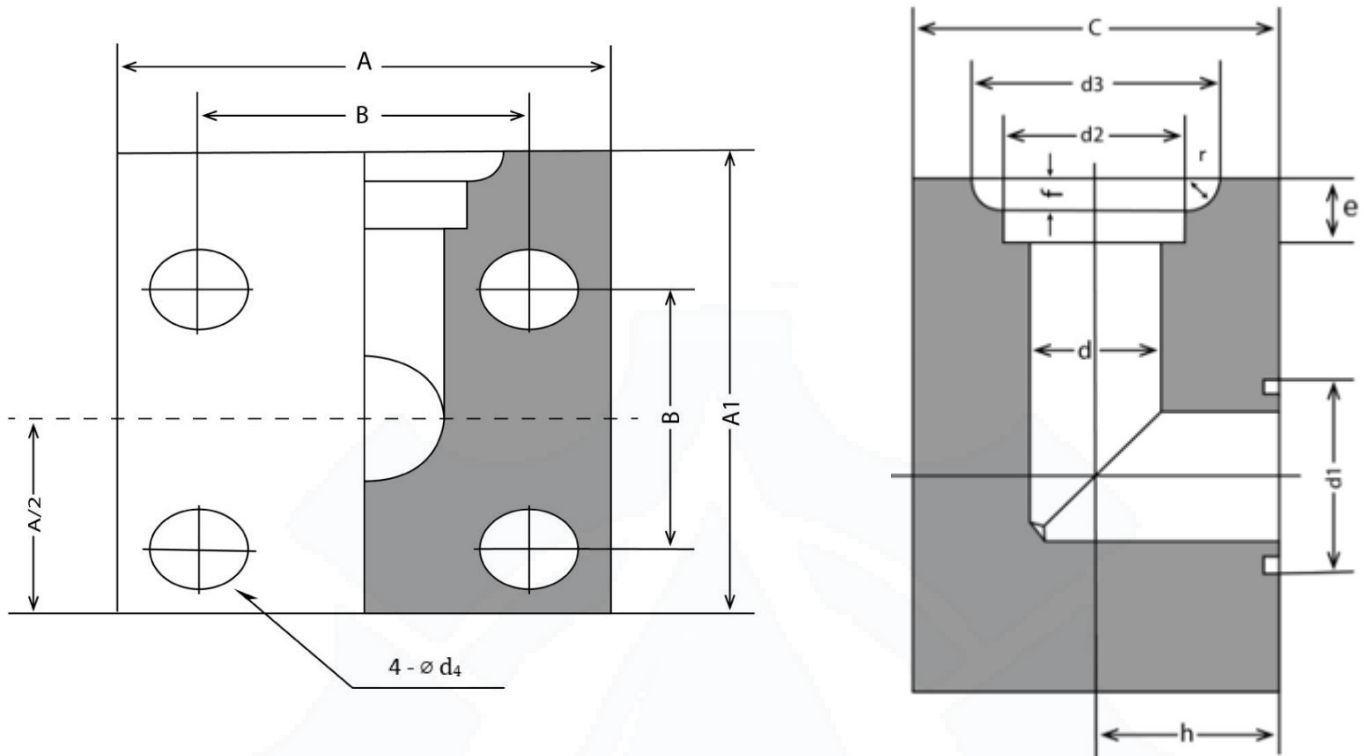
Flanges Screws:

Metric screws according to DIN 912-8.8 (Standard)



LSA Square Flanges



LSA Square Flanges (210kgf/cm²)

Dimension List

Size	O-ring	Dimensions													Bolt Length (Minimum)	Weight (Kg)
		A	A1	B	C	h	d	d1	d2	e	d3	d4	f	r		
15	15A	54	63	36	40	20	16	30	22.2	11	32	11	3.5	5	M10 x 55	0.85 KGS
20	20A	58	70	40	45	22.5	20	35	27.7	12	38	11	4	5	M10 x 60	1.11 KGS
25	25A	68	82	48	50	25	25	40	34.5	14	45	13	4	5	M12 x 70	1.64 KGS
32	32A	76	92	56	63	31.5	31.5	45	43.2	16	56	13	6	5	M12 x 85	2.56 KGS
40	40A	92	110	65	71	35.5	37.5	55	49.1	18	63	18	7	5	M16 x 100	4.11 KGS
50	50A	100	125	73	85	42.5	47.5	65	61.1	20	75	18	7	5	M16 x 115	5.93 KGS
65	65A	128	150	92	106	53	60	80	77.1	22	95	22	9.5	6	M20 x 145	11.42 KGS
80	80A	140	170	103	118	59	71	90	90	25	108	24	11	6	M22 x 160	15.25 KGS

Part Number Reference

PART NO.	DESCRIPTION
FL -SQ-H-LSA-0-08	1/2" S/W HYDR SQUARE FLANGE (LSA)
FL -SQ-H-LSA-0-12	3/4" S/W HYDR SQUARE FLANGE (LSA)
FL -SQ-H-LSA-0-16	1" S/W HYDR SQUARE FLANGE (LSA)
FL -SQ-H-LSA-0-20	1 1/4" S/W HYDR SQUARE FLANGE (LSA)
FL -SQ-H-LSA-0-24	1 1/2" S/W HYDR SQUARE FLANGE (LSA)
FL -SQ-H-LSA-0-32	2" S/W HYDR SQUARE FLANGE (LSA)
FL -SQ-H-LSA-0-40	2 1/2" S/W HYDR SQUARE FLANGE (LSA)
FL -SQ-H-LSA-0-48	3" S/W HYDR SQUARE FLANGE (LSA)

RFS Hydraulics

Conditions of Use of Catalogue:

The information in the catalogue are not binding and in order to improve distribution, RFS Hydraulics Sdn Bhd reserves the right to make any change including size and pressure ratings considered necessary at any time and without prior notice. According to the copyright and the civil law, any reproduction (also partial) of figures and texts of this catalogue by means of electronic, mechanical, photocopies, microfilms, recordings or other is forbidden without RFS Hydraulics Sdn Bhd's authorization.
Catalogue Version: 2020