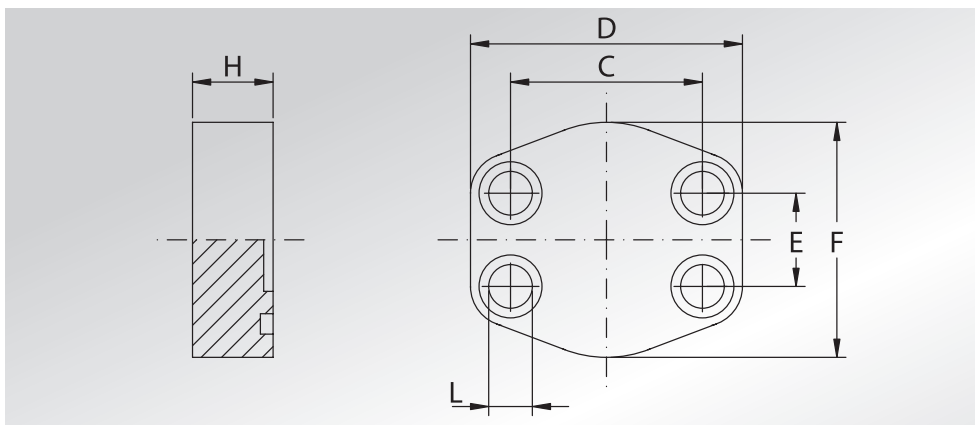


oleo tecnica

flange sae

CATALOGO 2018

CATALOGUE 2018



Pressione max di esercizio raccomandata Kg/cm ²	Grandezza	Tipo	Dimensioni						Viti		Or tipo	Peso Kg
Maximum recommended working pressure Kg/cm ²	Size	Type	Dimensions						Screws		Or type	Weight Kg
			C	D	E	F	H	L	Metric	Unc		

SERIE 3000

345	1/2"	AFC080	38,10	56	17,48	46	16	9	M8x30	5/16"x1"1/4	4075	0,24
345	3/4"	AFC100	47,63	65	22,23	50	16	11	M10x35	3/8"x1"1/2	4100	0,30
345	1"	AFC102	52,37	70	26,19	60	19	11	M10x35	3/8"x1"1/2	4131	0,42
276	1"1/4	AFC104	58,72	79	30,18	68	18	11,5	M10x40	7/16"x1"3/4	4150	0,55
207	1"1/2	AFC106	69,85	93	35,71	78	20	13,5	M12x45	1/2"x1"3/4	4187	0,82
207	2"	AFC108	77,77	102	42,88	90	20	13,5	M12x45	1/2"x1"3/4	4225	1,08
172	2"1/2	AFC110	88,90	114	50,80	105	20	13,5	M12x45	1/2"x1"3/4	4275	1,40
138	3"	AFC112	106,38	134	61,93	124	24	17,5	M16x50	5/8"x2"	4337	2,38
34	3"1/2	AFC114	120,65	152	69,85	136	22	17,5	M16x50	5/8"x2"	4387	2,91
34	4"	AFC116	130,18	162	77,77	146	25	17,5	M16x50	5/8"x2"	4437	3,98
34	5"	AFC118	152,40	190	92,08	170	28	17,5	M16x55	5/8"x2"1/4	4537	4,00

SERIE 6000

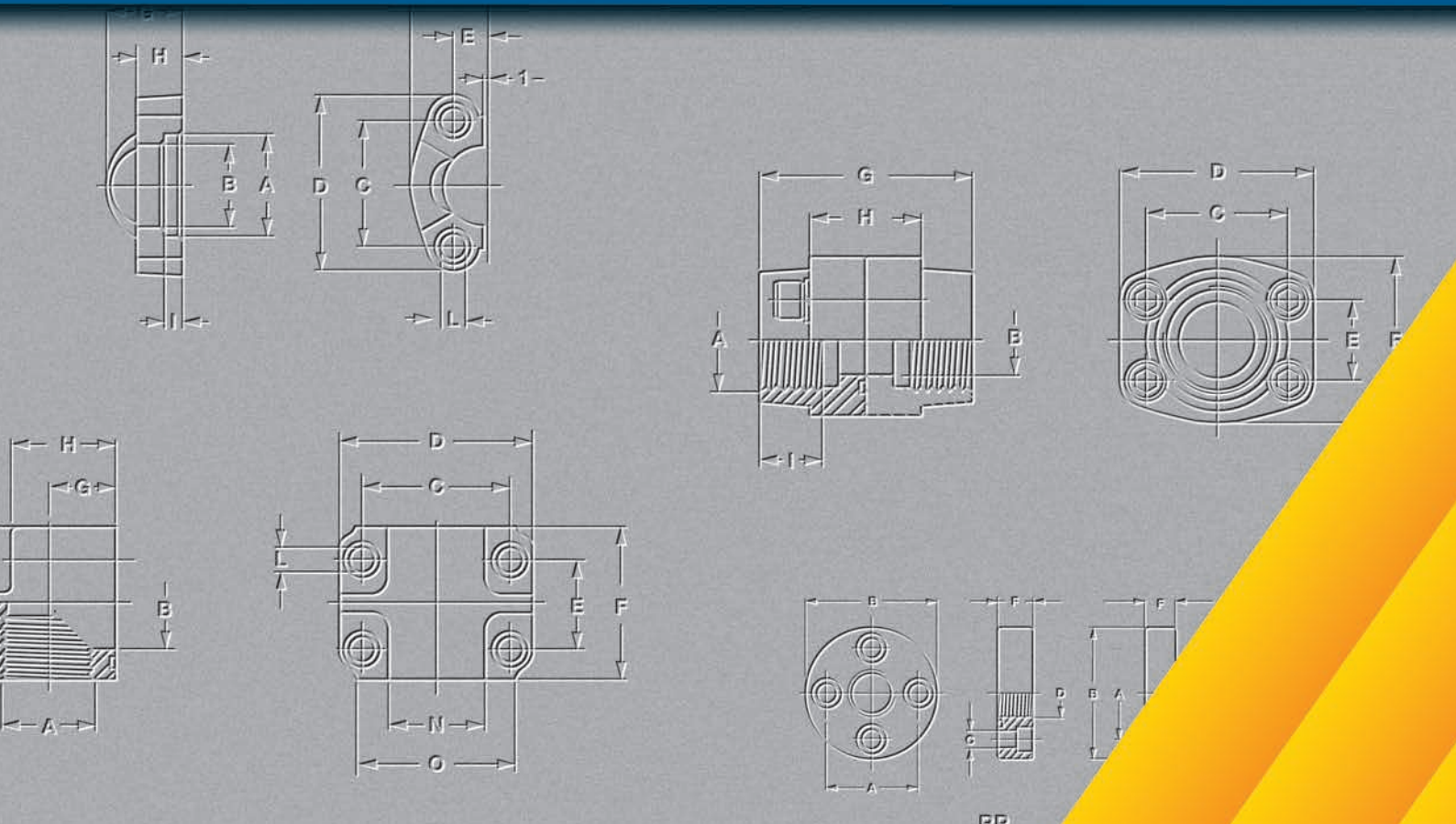
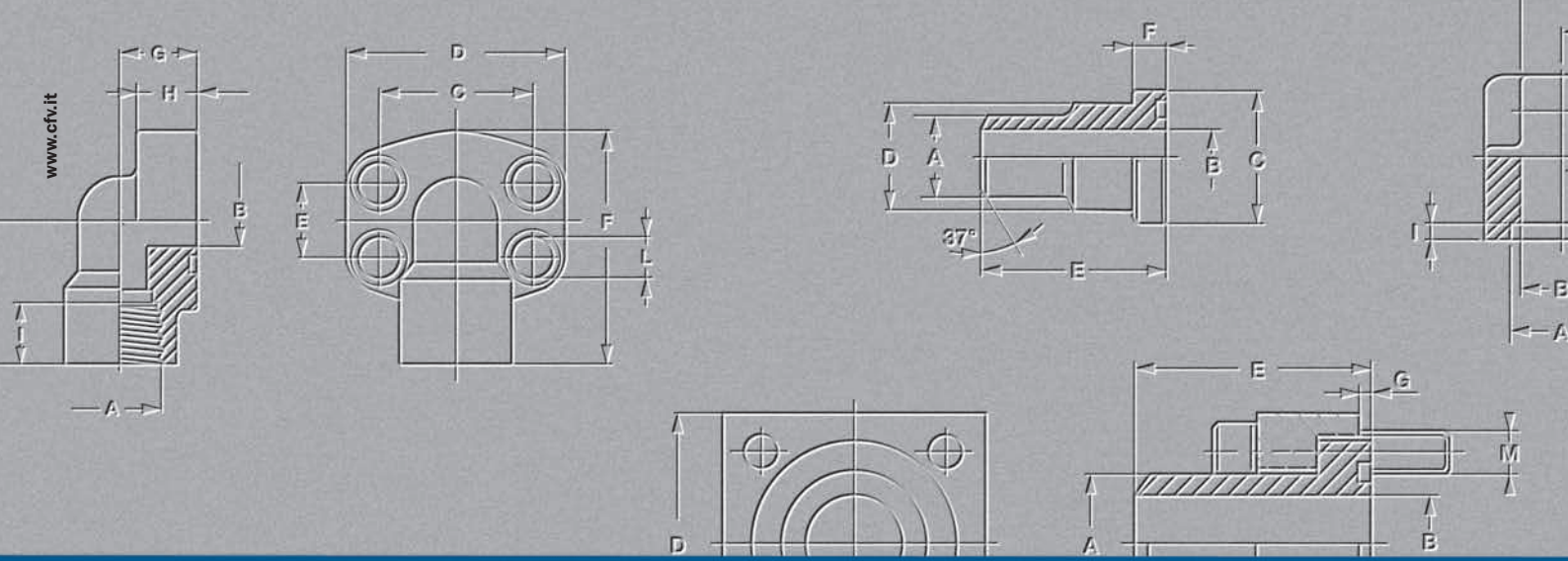
414	1/2"	AFC401	40,49	56	18,24	48	16	9	M8x30	5/16"x1"1/4	4075	0,24
414	3/4"	AFC402	50,80	71	23,80	60	19	11	M10x35	3/8"x1"1/2	4100	0,42
414	1"	AFC403	57,15	81	27,76	70	24	13	M12x45	7/16"x1"3/4	4131	0,77
414	1"1/4	AFC404	66,68	95	31,75	78	27	15	M14x45	-	4150	1,16
414	1"1/4	AFC404L13	66,68	95	31,75	78	27	13,5	M12x45	1/2"x1"3/4	4150	1,16
414	1"1/2	AFC405	79,38	112	36,50	94	30	17	M16x55	5/8"x2"1/4	4187	1,80
414	2"	AFC406	96,82	134	44,45	114	30	21	M20x60	3/4"x2"3/4	4225	2,57
414	2"1/2	AFC507 *	123,80	180	58,70	152	45	26	M24x80	7/8"x3"1/4	4275	7,20
414	3"	AFC508 *	152,40	208	71,40	178	55	33	M30x100	1"1/8"x3"1/2	4337	11,8

DESIGNAZIONE PER ORDINE DESIGNATION FOR ORDER	Materiale / Material	
	S355	AISI 316L
Solo flangia Only flange	AFC...	AFCX...
Flangia completa di viti metriche, grower e o-ring Flange complete of metric screws, grower type washers and o-ring	AFC...M	AFCX...M
Flangia completa di viti unc, grower e o-ring Flange complete of unc screws, grower type washers and o-ring	AFC...U	AFCX...U

NOTE / NOTES

set viti unc disponibili solo in acciaio al carbonio
unc screws set available only in carbon steel

*set viti disponibili solo metriche in acciaio al carbonio
*screws set available only metric in carbon steel



oleo tecnica s.r.l.

officina meccanica flange SAE

Via Geromina, 6/B (Fraz. Geromina)
24047 Treviglio (Bg) - Italy
Tel. 0363.40447 - Fax 0363.46933
www.oleotecnica.net