



ANSI 150# Cast Iron

# Wafer Type BUTTERFLY VALVES

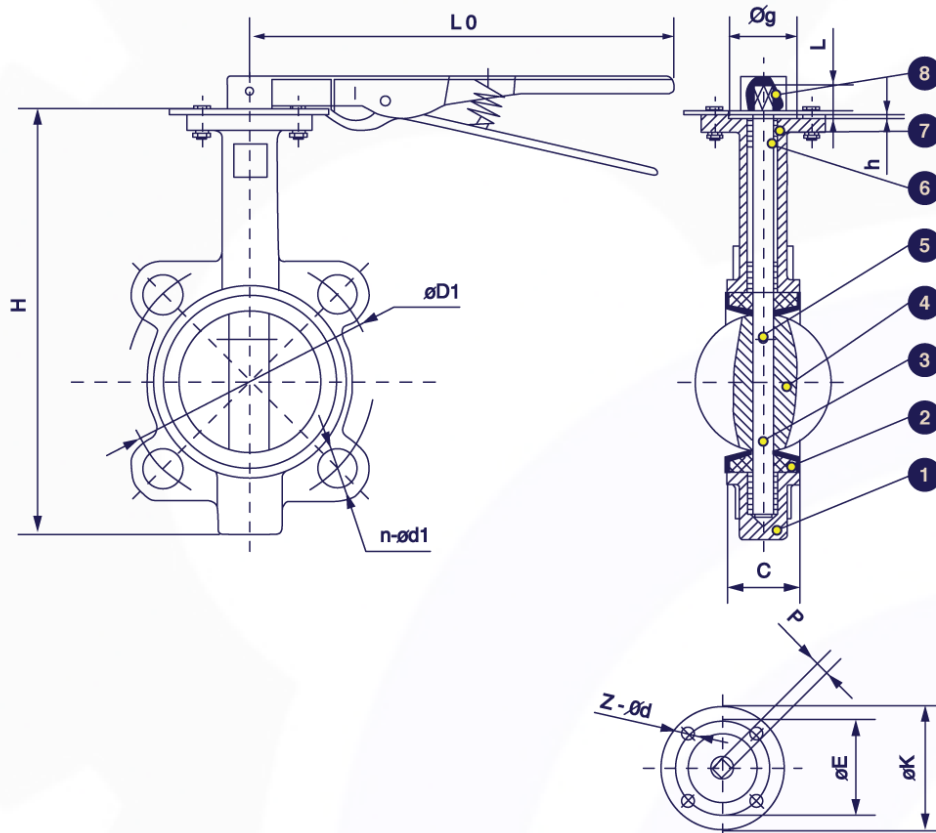


## Features

- ANSI 150# Wafer Type Connection
- Size: 1 1/2" – 6" (DN40 - DN150)
- Valve Body Material: Cast Iron
- Working Pressure: 150 PSI
- Applicable Medium: General oil, gas and water applications
- Temperature Range: -30°C - 120°C



**Wafer Type Butterfly Valves**



DIAGONAL SQUARE HEAD

## Material List

No.	Part Name	Material
1	Body	Cast Iron
2	Seat	EPDM
3	Shaft	SS410
4	Disc	CF8
5	Pin	SS304
6	Bushing	Polymers
7	Oring	NBR
8	Handle Lever	Ductile Iron

## Technical Specifications

1. Basic design and manufacture according to API 609
2. Face to face dimension: API609
3. Inspection and test: API 598

Main Technical Parameter			
Nominal Pressure		1.6	MPa
Test Pressure	Shell	2.4	
	Sealing	1.76	
Working Temperature		-30 - 120	°C
Applicable Medium: General oil, gas & water			

## Ordering Information

VL	-	CI	-	BU	-	W	-	150	-	24
I		II		III		IV		V		VI

<b>I</b>	<b>Type of Item</b>		
VL	Low Pressure Valves		

<b>II</b>	<b>Material Grade</b>		
S	SS316, CF8M	CI	Cast Iron
FS	Forged Steel	CS	Cast Steel
B	Brass		

<b>III</b>	<b>Item</b>		
GA	Gate Valve	B1	1 PC Ball Valve
GL	Globe Valve	B2	2 PC Ball Valve
YS	Y-Strainer	B3	3 PC Ball Valve
SC	Swing Check Valve	BL	3 Way Ball Valve L Port
VC	Vertical Check Valve	BT	3 Way Ball Valve T Port
WC	Wafer Check Valve	BMF	Male x Female Mini Ball Valve
DD	Dual Disk	BU	Butterfly Valve

<b>IV</b>	<b>Connection Type</b>		
SW	S/W	G	BSPP
BW	B/W	N	NPT
R	BSPT	F	Flange End
W	Wafer	L	Lug

<b>V</b>	<b>Pressure</b>		
200	200 PSI	2000	2000 PSI
300	300 PSI	150	ANSI 150# Flange Standard
600	600 PSI	10K	JIS 10K Flange Standard
800	800 PSI	PN16	PN 16 Flange Standard
1000	1000 PSI		

## For Inch OD & Inch NB Sizes

<b>VI</b>	<b>Size</b>							
Size	1/8"	1/4"	5/16"	3/8"	1/2"	5/8"	3/4"	1"
Code	02	04	05	06	08	10	12	16
Size	1 1/4"	1 1/2"	2"	2 1/2"	3"	4"	5"	6"
Code	20	24	32	40	48	64	80	96

<b>VII</b>	<b>Coating</b>		
(None)	No Additional Coating		
NI	Nickel Plating		

## Dimension List

Size		H	C	L	P	LO	Upper Flange					ANSI 150	
DN	Inches						K	E	z-d	g	h	D1	n-d1
40	1 1/2"	220	33.4	28	9	220	65	50	4-7	35	2.2	98.5	4-16
50	2"	242	42.7	25	9	220	65	50	4-7	35	2.2	120.5	4-19
65	2 1/2"	265	45	27	9	220	65	50	4-7	35	2.2	139.5	4-19
80	3"	280	45.3	24	9	220	65	50	4-7	35	2.2	152.5	4-19
100	4"	315	51.5	24	11	255	90	70	4-9	35	2.2	190.5	4-19
125	5"	342	54.5	26.7	14	260	90	70	4-9	35	2.2	216	4-22
150	6"	374	55.5	26	14	260	90	70	4-9	35	2.2	241.5	4-22

## Part Number Reference

Part No	Description
VL-CI-BU-W-150-24	1 1/2" 150# CI BUTTERFLY VALVE WAFER TYPE, 4 HOLE CAST IRON BODY, EPDM SEAT, DISC SS304, SHAFT SS410, HANDLE OPERATOR
VL-CI-BU-W-150-32	2" 150# CI BUTTERFLY VALVE WAFER TYPE, 4 HOLE CAST IRON BODY, EPDM SEAT, DISC SS304, SHAFT SS410, HANDLE OPERATOR
VL-CI-BU-W-150-40	2 1/2" 150# CI BUTTERFLY VALVE WAFER TYPE, 4 HOLE CAST IRON BODY, EPDM SEAT, DISC SS304, SHAFT SS410, HANDLE OPERATOR
VL-CI-BU-W-150-48	3" 150# CI BUTTERFLY VALVE WAFER TYPE, CAST IRON BODY, EPDM SEAT, DISC SS304, SHAFT SS410, HANDLE OPERATOR
VL-CI-BU-W-150-64	4" 150# CI BUTTERFLY VALVE WAFER TYPE, 4 HOLE CAST IRON BODY, EPDM SEAT, DISC SS304, SHAFT SS410, HANDLE OPERATOR
VL-CI-BU-W-150-80	5" 150# CI BUTTERFLY VALVE WAFER TYPE, 4 HOLE CAST IRON BODY, EPDM SEAT, DISC SS304, SHAFT SS410, HANDLE OPERATOR
VL-CI-BU-W-150-96	6" 150# CI BUTTERFLY VALVE WAFER TYPE, 4 HOLE CAST IRON BODY, EPDM SEAT, DISC SS304, SHAFT SS410, HANDLE OPERATOR



## ANSI 150# Cast Iron Wafer Type Butterfly Valves



### AF HYDRO

#### Conditions of Use of Catalogue:

The information in the catalogue are not binding and in order to improve distribution, AF Hydro reserves the right to make any change including size and pressure ratings considered necessary at any time and without prior notice. According to the copyright and the civil law, any reproduction (also partial) of figures and texts of this catalogue by means of electronic, mechanical, photocopies, microfilms, recordings or other is forbidden without AF Hydro's authorization.