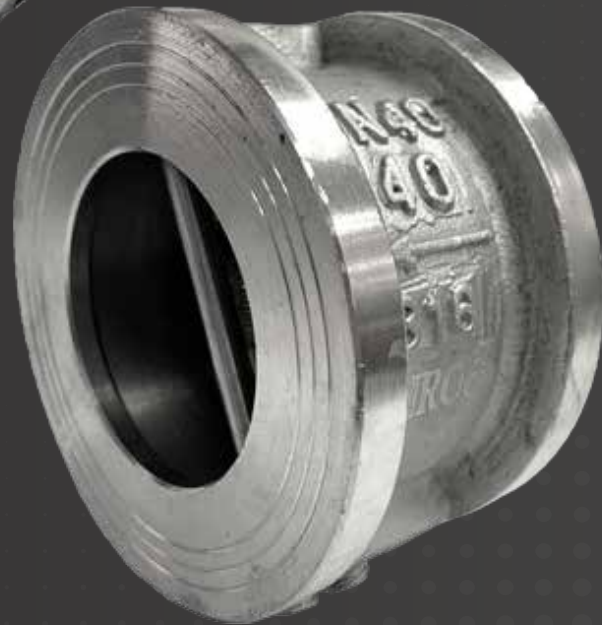


Dual Disk

Dual Plate

CHECK VALVES

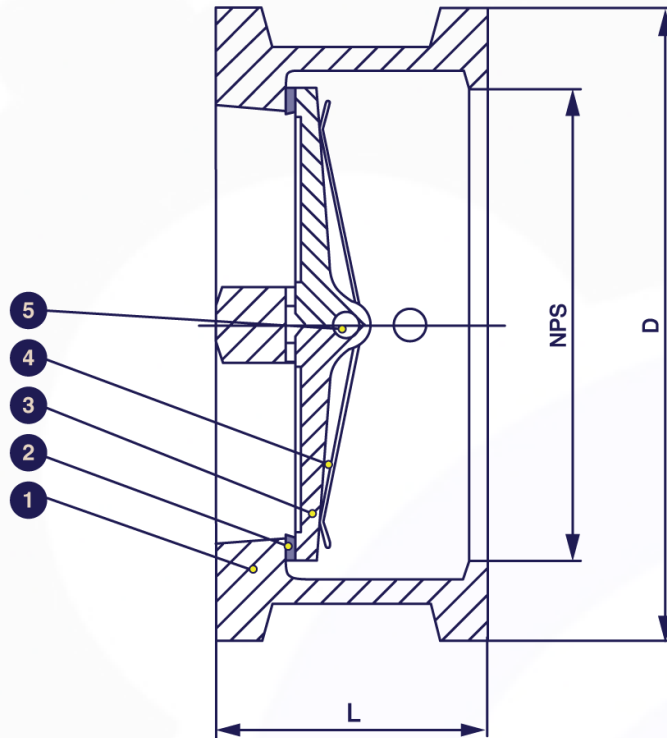


Features

- Wafer Type
- Wafer Connection
- Size: 1 1/2" - 6" (DN40 - DN150)
- Working Pressure: 150#, 300#, JIS 5K, JIS 10K, PN10, PN16, PN40
- Material: SS316, CF8M
- Applicable Medium: General oil, gas & water applications
- Temperature Range: ≤ 150°C



Dual Plate Check Valves



Technical Specifications

1. Basic design and manufacture according to API 594
2. Face to face dimensions according to ANSI B16.10
3. Inspection and tested according to API 598

| Performance Specification Sheet | | | |
|---|---------------|------|-----|
| Nominal pressure | | PN40 | |
| Test pressure | Strength test | 6.0 | MPa |
| | Seal test | 4.4 | |
| | Air seal test | 0.6 | |
| Applicable Medium: General oil, gas & water | | | |

Ordering Information

| | | | | | | | | | | |
|----|---|----|---|-----|---|----|---|-----|---|----|
| VL | - | S | - | DD | - | W | - | 300 | - | 24 |
| I | | II | | III | | IV | | V | | VI |

| | | | |
|----------|---------------------|--|--|
| I | Type of Item | | |
| VL | Low Pressure Valves | | |

| | | | |
|-----------|-----------------------|----|------------|
| II | Material Grade | | |
| S | SS316, CF8M | CI | Cast Iron |
| FS | Forged Steel | CS | Cast Steel |
| B | Brass | | |

| | | | |
|------------|----------------------|-----|-------------------------------|
| III | Item | | |
| GA | Gate Valve | B1 | 1 PC Ball Valve |
| GL | Globe Valve | B2 | 2 PC Ball Valve |
| YS | Y-Strainer | B3 | 3 PC Ball Valve |
| SC | Swing Check Valve | BL | 3 Way Ball Valve L Port |
| VC | Vertical Check Valve | BT | 3 Way Ball Valve T Port |
| WC | Wafer Check Valve | BMF | Male x Female Mini Ball Valve |
| DD | Dual Disk | BU | Butterfly Valve |

| | | | |
|-----------|------------------------|---|------------|
| IV | Connection Type | | |
| SW | S/W | G | BSPP |
| BW | B/W | N | NPT |
| R | BSPT | F | Flange End |
| W | Wafer | L | Lug |

| | | | |
|----------|-----------------|------|---------------------------|
| V | Pressure | | |
| 200 | 200 PSI | 2000 | 2000 PSI |
| 300 | 300 PSI | 150 | ANSI 150# Flange Standard |
| 600 | 600 PSI | 10K | JIS 10K Flange Standard |
| 800 | 800 PSI | PN16 | PN 16 Flange Standard |
| 1000 | 1000 PSI | | |

For Inch OD & Inch NB Sizes

| | | | | | | | | |
|-----------|-------------|--------|-------|--------|------|------|------|----|
| VI | Size | | | | | | | |
| Size | 1/8" | 1/4" | 5/16" | 3/8" | 1/2" | 5/8" | 3/4" | 1" |
| Code | 02 | 04 | 05 | 06 | 08 | 10 | 12 | 16 |
| Size | 1 1/4" | 1 1/2" | 2" | 2 1/2" | 3" | 4" | 5" | 6" |
| Code | 20 | 24 | 32 | 40 | 48 | 64 | 80 | 96 |

| | | | |
|------------|-----------------------|--|--|
| VII | Coating | | |
| (None) | No Additional Coating | | |
| NI | Nickel Plating | | |

Material List

| No. | Part Name | Material |
|-----|-----------|------------|
| 1 | Body | CF8M/SS316 |
| 2 | Seat ring | EPDM |
| 3 | Wedge | CF8M/SS316 |
| 4 | Spring | SS316 |
| 5 | Pin | SS316 |

Dimension List

| NPS | Connection | Part No | DN | L | D |
|--------|------------|------------------|-----|----|-------|
| 1 1/2" | Wafer | VL-S-DD-W-600-24 | 40 | 44 | 100 |
| 2" | Wafer | VL-S-DD-W-600-32 | 50 | 60 | 103.7 |
| 2 1/2" | Wafer | VL-S-DD-W-600-40 | 65 | 67 | 122.7 |
| 3" | Wafer | VL-S-DD-W-600-48 | 80 | 73 | 135.4 |
| 4" | Wafer | VL-S-DD-W-600-64 | 100 | 73 | 173.5 |
| 5" | Wafer | VL-S-DD-W-600-80 | 125 | 87 | 192 |
| 6" | Wafer | VL-S-DD-W-600-96 | 150 | 99 | 220 |

Part Number Reference

| Part No | Description |
|------------------|---|
| VL-S-DD-W-600-24 | 1 1/2" SS316 WAFER DUAL DISK CHECK VALVE PN40 |
| VL-S-DD-W-600-32 | 2" SS316 WAFER DUAL DISK CHECK VALVE PN40 |
| VL-S-DD-W-600-40 | 2 1/2" SS316 WAFER DUAL DISK CHECK VALVE PN40 |
| VL-S-DD-W-600-48 | 3" SS316 WAFER DUAL DISK CHECK VALVE PN40 |
| VL-S-DD-W-600-64 | 4" SS316 WAFER DUAL DISK CHECK VALVE PN40 |
| VL-S-DD-W-600-80 | 5" SS316 WAFER DUAL DISK CHECK VALVE PN40 |
| VL-S-DD-W-600-96 | 6" SS316 WAFER DUAL DISK CHECK VALVE PN40 |



AF HYDRO

Conditions of Use of Catalogue:

The information in the catalogue are not binding and in order to improve distribution, AF Hydro reserves the right to make any change including size and pressure ratings considered necessary at any time and without prior notice. According to the copyright and the civil law, any reproduction (also partial) of figures and texts of this catalogue by means of electronic, mechanical, photocopies, microfilms, recordings or other is forbidden without AF Hydro's authorization.