



© AF Hydro 2023. All rights reserved.

WEBSITE:

www.afhydro.com

Low Pressure CLASS 150# FITTINGS



Dimension Specifications

NPT Threads conform to ASME B1.20.1

BSPT Threads conform to ISO 7-1, DIN2999, BS21

Material Specifications:

ASTM A351 CF8M, SS316

Threaded End

NPT, BSPT











Class 150# Fittings

Chemical Composition

ASTM A351 CF8M, SS316 Chemical Composition in %								
	C	Mn	P	S	Si	Ni	Cr	Mo
Min.						9.0	18.0	2.00
Max.	0.080	1.500	0.040	0.040	1.500	12.0	21.0	3.00

Mechanical Properties of the Fittings at room temperature

SS316/SS316L	Tensile Strength R_m (N/mm ²)	Upper Yield Point R_{eH} (N/mm ²) min.	Elongation at rupture A_5 (%) min.	Hardness Test (HRB)
Min.	485	205	30	
Max.				80

INDEX	TYPE	STANDARD	PAGE NO
ELBOW		<u>90D ELBOW</u> <u>45D ELBOW</u> <u>90D STREET ELBOW</u> <u>45D STREET ELBOW</u>	<u>4</u> <u>5</u> <u>6</u> <u>7</u>
TEE		<u>TEE</u> <u>REDUCING TEE</u>	<u>8</u> <u>9-10</u>
NIPPLE		<u>HEX NIPPLE</u> <u>REDUCING NIPPLE</u>	<u>11</u> <u>12-13</u>
SOCKET		<u>FULL COUPLING</u> <u>REDUCING COUPLING</u> <u>HALF COUPLING</u>	<u>14</u> <u>15-16</u> <u>17</u>
CAP		<u>ROUND CAP</u>	<u>18</u>
PLUG		<u>HEX PLUG</u>	<u>19</u>
UNION		<u>UNION F/F CONICAL</u>	<u>20</u>
ADAPTER		<u>HEX BUSHING</u>	<u>21-22</u>

Ordering Information

FL	-	S	-	L90	-	N	-	150	-	02
I		II		III		IV		V		VI

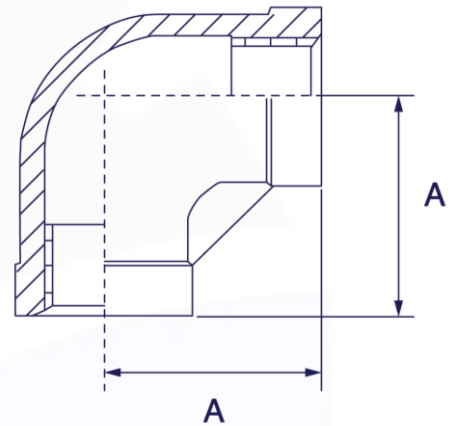
I	Type of Item		
FL	Low Pressure Fittings		
II	Material Grade		
S	SS316, CF8M		
III	Item		
BH	Hex Bush	CF	Full Coupling
L90	90D Elbow	CR	Reducing Coupling
L45	45D Elbow	CH	Half Coupling
T	Tee	LS90	90D Street Elbow
TR	Reducing Tee	LS45	45D Street Elbow
NH	Hex Nipple	PH	Hex Plug
NHR	Reducing Hex Nipple	UC	Union F/F Conical
CR	Round Cap		
IV	Connection Type		
R	BSPT		
N	NPT		
V	Pressure		
150	150 PSI		

For Inch OD & Inch NB Sizes

VI	Size						
Size	1/8"	1/4"	5/16"	3/8"	1/2"	5/8"	3/4"
Code	02	04	05	06	08	10	12
Size	1"	1 1/4"	1 1/2"	2"	2 1/2"	3"	4"
Code	16	20	24	32	40	48	64

90D ELBOW (BSPT THREADED)

Size	Part No.	Impa Code	A	Weight (Kg)
1/8"	FL-S-L90-R-150-02	73 25 01	14.0	0.0202
1/4"	FL-S-L90-R-150-04	73 25 02	18.5	0.0320
3/8"	FL-S-L90-R-150-06	73 25 03	20.8	0.0476
1/2"	FL-S-L90-R-150-08	73 25 04	25.0	0.0730
3/4"	FL-S-L90-R-150-12	73 25 05	27.5	0.1104
1"	FL-S-L90-R-150-16	73 25 06	33.0	0.1876
1 1/4"	FL-S-L90-R-150-20	73 25 07	39.5	0.3068
1 1/2"	FL-S-L90-R-150-24	73 25 08	43.0	0.3928
2"	FL-S-L90-R-150-32	73 25 09	52.0	0.6268
2 1/2"	FL-S-L90-R-150-40	-	61.0	1.3330
3"	FL-S-L90-R-150-48	-	70.5	1.5600
4"	FL-S-L90-R-150-64	-	89.0	2.9000



90D ELBOW (NPT THREADED)

Size	Part No.	Impa Code	A	Weight (Kg)
1/8"	FL-S-L90-N-150-02	-	14.0	0.0202
1/4"	FL-S-L90-N-150-04	-	18.5	0.0320
3/8"	FL-S-L90-N-150-06	-	20.8	0.0476
1/2"	FL-S-L90-N-150-08	-	25.0	0.0730
3/4"	FL-S-L90-N-150-12	-	27.5	0.1104
1"	FL-S-L90-N-150-16	-	33.0	0.1876
1 1/4"	FL-S-L90-N-150-20	-	39.5	0.3068
1 1/2"	FL-S-L90-N-150-24	-	43.0	0.3928
2"	FL-S-L90-N-150-32	-	52.0	0.6268
2 1/2"	FL-S-L90-N-150-40	-	61.0	1.3330
3"	FL-S-L90-N-150-48	-	70.5	1.5600
4"	FL-S-L90-N-150-64	-	89.0	2.9000

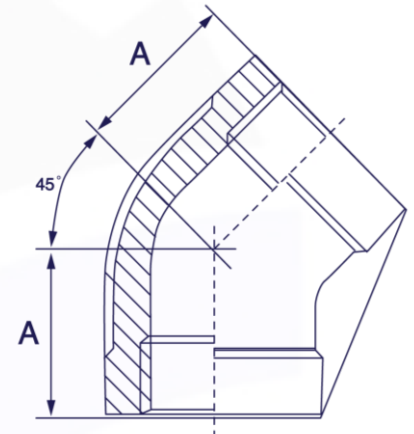
45D ELBOW (BSPT THREADED)

Size	Part No.	Impa Code	A	Weight (Kg)
1/8"	FL-S-L45-R-150-02	-	12.0	0.0360
1/4"	FL-S-L45-R-150-04	-	15.5	0.0500
3/8"	FL-S-L45-R-150-06	-	17.0	0.0870
1/2"	FL-S-L45-R-150-08	-	19.0	0.1180
3/4"	FL-S-L45-R-150-12	-	21.5	0.1470
1"	FL-S-L45-R-150-16	-	25.0	0.2460
1 1/4"	FL-S-L45-R-150-20	-	28.5	0.3470
1 1/2"	FL-S-L45-R-150-24	-	31.0	0.4160
2"	FL-S-L45-R-150-32	-	36.0	0.6730
2 1/2"	FL-S-L45-R-150-40	-	54.5	0.9180
3"	FL-S-L45-R-150-48	-	63.0	1.1540
4"	FL-S-L45-R-150-64	-	79.5	1.9930



45D ELBOW (NPT THREADED)

Size	Part No.	Impa Code	A	Weight (Kg)
1/8"	FL-S-L45-N-150-02	-	12.0	0.0360
1/4"	FL-S-L45-N-150-04	-	15.5	0.0500
3/8"	FL-S-L45-N-150-06	-	17.0	0.0870
1/2"	FL-S-L45-N-150-08	-	19.0	0.1180
3/4"	FL-S-L45-N-150-12	-	21.5	0.1470
1"	FL-S-L45-N-150-16	-	25.0	0.2460
1 1/4"	FL-S-L45-N-150-20	-	28.5	0.3470
1 1/2"	FL-S-L45-N-150-24	-	31.0	0.4160
2"	FL-S-L45-N-150-32	-	36.0	0.6730
2 1/2"	FL-S-L45-N-150-40	-	54.5	0.9180
3"	FL-S-L45-N-150-48	-	63.0	1.1540
4"	FL-S-L45-N-150-64	-	79.5	1.9930



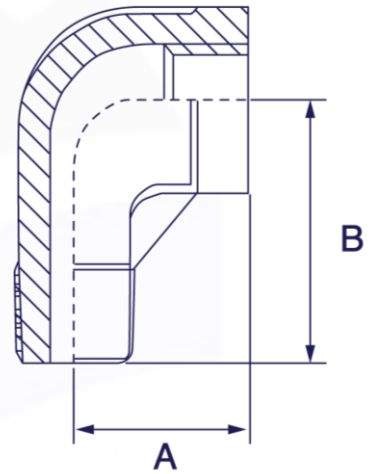
90D STREET ELBOW (BSPT THREADED)

Size	Part No.	Impa Code	A	B	Weight (Kg)
1/8"	FL-S-LS90-R-150-02	-	15.4	23.0	0.0260
1/4"	FL-S-LS90-R-150-04	-	17.6	27.0	0.0400
3/8"	FL-S-LS90-R-150-06	-	20.5	30.0	0.0730
1/2"	FL-S-LS90-R-150-08	-	20.5	30.0	0.0940
3/4"	FL-S-LS90-R-150-12	-	24.0	34.5	0.1670
1"	FL-S-LS90-R-150-16	-	30.0	39.5	0.2310
1 1/4"	FL-S-LS90-R-150-20	-	35.5	46.5	0.4290
1 1/2"	FL-S-LS90-R-150-24	-	38.5	49.5	0.4730
2"	FL-S-LS90-R-150-32	-	48.0	60.5	0.7600
2 1/2"	FL-S-LS90-R-150-40	-	62.5	87.0	1.2860
3"	FL-S-LS90-R-150-48	-	79.3	106.5	1.9250
4"	FL-S-LS90-R-150-64	-	100.5	126.3	3.1000



90D STREET ELBOW (NPT THREADED)

Size	Part No.	Impa Code	A	B	Weight (Kg)
1/8"	FL-S-LS90-N-150-02	-	15.4	23.0	0.0260
1/4"	FL-S-LS90-N-150-04	-	17.6	27.0	0.0400
3/8"	FL-S-LS90-N-150-06	-	20.5	30.0	0.0730
1/2"	FL-S-LS90-N-150-08	-	20.5	30.0	0.0940
3/4"	FL-S-LS90-N-150-12	-	24.0	34.5	0.1670
1"	FL-S-LS90-N-150-16	-	30.0	39.5	0.2310
1 1/4"	FL-S-LS90-N-150-20	-	35.5	46.5	0.4290
1 1/2"	FL-S-LS90-N-150-24	-	38.5	49.5	0.4730
2"	FL-S-LS90-N-150-32	-	48.0	60.5	0.7600
2 1/2"	FL-S-LS90-N-150-40	-	62.5	87.0	1.2860
3"	FL-S-LS90-N-150-48	-	79.3	106.5	1.9250
4"	FL-S-LS90-N-150-64	-	100.5	126.3	3.1000



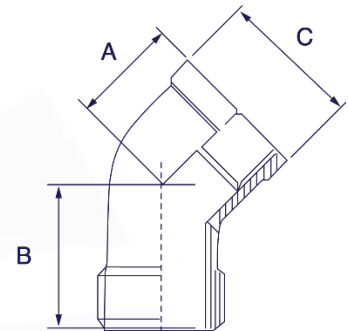
45D STREET ELBOW (BSPT THREADED)

Size	Part No.	Impa Code	A	B	C	Weight (Kg)
1/8"	FL-S-LS45-R-150-02	-	15.0	15.4	23.0	
1/4"	FL-S-LS45-R-150-04	-	17.0	17.6	27.0	
3/8"	FL-S-LS45-R-150-06	-	19.0	20.5	30.0	
1/2"	FL-S-LS45-R-150-08	-	21.0	20.5	30.0	
3/4"	FL-S-LS45-R-150-12	-	24.0	24.0	34.5	
1"	FL-S-LS45-R-150-16	-	29.0	30.0	39.5	
1 1/4"	FL-S-LS45-R-150-20	-	31.0	35.5	46.5	
1 1/2"	FL-S-LS45-R-150-24	-	35.0	38.5	49.5	
2"	FL-S-LS45-R-150-32	-	41.0	48.0	60.5	



45D STREET ELBOW (NPT THREADED)

Size	Part No.	Impa Code	A	B	C	Weight (Kg)
1/8"	FL-S-LS45-N-150-02	-	15.0	15.4	23.0	
1/4"	FL-S-LS45-N-150-04	-	17.0	17.6	27.0	
3/8"	FL-S-LS45-N-150-06	-	19.0	20.5	30.0	
1/2"	FL-S-LS45-N-150-08	-	21.0	20.5	30.0	
3/4"	FL-S-LS45-N-150-12	-	24.0	24.0	34.5	
1"	FL-S-LS45-N-150-16	-	29.0	30.0	39.5	
1 1/4"	FL-S-LS45-N-150-20	-	31.0	35.5	46.5	
1 1/2"	FL-S-LS45-N-150-24	-	35.0	38.5	49.5	
2"	FL-S-LS45-N-150-32	-	41.0	48.0	60.5	



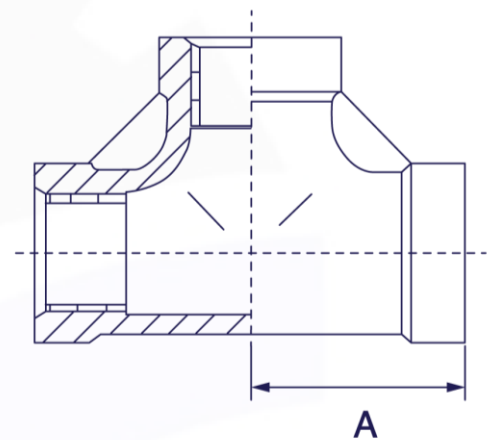
TEE (BSPT THREADED)

Size	Part No.	Impa Code	A	Weight (Kg)
1/8"	FL-S-T-R-150-02	73 25 21	14.0	0.0266
1/4"	FL-S-T-R-150-04	73 25 22	18.5	0.0447
3/8"	FL-S-T-R-150-06	73 25 23	20.8	0.0640
1/2"	FL-S-T-R-150-08	73 25 24	25.0	0.1029
3/4"	FL-S-T-R-150-12	73 25 25	27.5	0.1492
1"	FL-S-T-R-150-16	73 25 26	33.0	0.2545
1 1/4"	FL-S-T-R-150-20	73 25 27	39.5	0.4222
1 1/2"	FL-S-T-R-150-24	73 25 28	43.0	0.5346
2"	FL-S-T-R-150-32	73 25 29	52.0	0.8611
2 1/2"	FL-S-T-R-150-40	-	61.0	1.7416
3"	FL-S-T-R-150-48	-	70.5	2.0460
4"	FL-S-T-R-150-64	-	89.0	3.6429



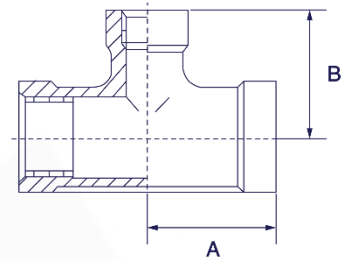
TEE (NPT THREADED)

Size	Part No.	Impa Code	A	Weight (Kg)
1/8"	FL-S-T-N-150-02	-	14.0	0.0266
1/4"	FL-S-T-N-150-04	-	18.5	0.0447
3/8"	FL-S-T-N-150-06	-	20.8	0.0640
1/2"	FL-S-T-N-150-08	-	25.0	0.1029
3/4"	FL-S-T-N-150-12	-	27.5	0.1492
1"	FL-S-T-N-150-16	-	33.0	0.2545
1 1/4"	FL-S-T-N-150-20	-	39.5	0.4222
1 1/2"	FL-S-T-N-150-24	-	43.0	0.5346
2"	FL-S-T-N-150-32	-	52.0	0.8611
2 1/2"	FL-S-T-N-150-40	-	61.0	1.7416
3"	FL-S-T-N-150-48	-	70.5	2.0460
4"	FL-S-T-N-150-64	-	89.0	3.6429



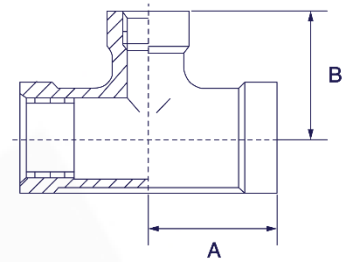
REDUCING TEE (BSPT THREADED)

Size	Part No.	Impa Code	A	B	Weight (Kg)
1/4" x 1/8"	FL-S-TR-R-150-04-02	-	17.2	15.3	-
3/8" x 1/8"	FL-S-TR-R-150-06-02	-	17.8	17.0	0.0630
3/8" x 1/4"	FL-S-TR-R-150-06-04	-	19.1	20.2	0.0630
1/2" x 1/4"	FL-S-TR-R-150-08-04	-	19.0	21.5	0.1380
1/2" x 3/8"	FL-S-TR-R-150-08-06	-	20.5	21.9	0.1380
3/4" x 3/8"	FL-S-TR-R-150-12-06	-	21.5	24.6	0.2018
3/4" x 1/2"	FL-S-TR-R-150-12-08	-	24.0	27.7	0.2018
1" x 3/8"	FL-S-TR-R-150-16-06	-	23.0	28.0	0.2929
1" x 1/2"	FL-S-TR-R-150-16-08	-	26.0	31.1	0.2929
1" x 3/4"	FL-S-TR-R-150-16-12	-	29.0	32.1	0.2929
1 1/4" x 1/2"	FL-S-TR-R-150-20-08	-	28.5	34.5	0.5520
1 1/4" x 3/4"	FL-S-TR-R-150-20-12	-	31.0	36.5	0.5520
1 1/4" x 1"	FL-S-TR-R-150-20-16	-	34.5	39.0	0.5520
1 1/2" x 1/2"	FL-S-TR-R-150-24-08	-	29.0	38.4	0.7450
1 1/2" x 3/4"	FL-S-TR-R-150-24-12	-	31.5	39.4	0.7450
1 1/2" x 1"	FL-S-TR-R-150-24-16	-	35.0	41.9	0.7450
1 1/2" x 1 1/4"	FL-S-TR-R-150-24-20	-	39.5	44.4	0.7450
2" x 1/2"	FL-S-TR-R-150-32-08	-	33.0	44.3	0.9850
2" x 3/4"	FL-S-TR-R-150-32-12	-	35.5	45.3	0.9850
2" x 1"	FL-S-TR-R-150-32-16	-	39.0	47.8	0.9850
2" x 1 1/4"	FL-S-TR-R-150-32-20	-	43.5	50.3	0.9850
2" x 1 1/2"	FL-S-TR-R-150-32-24	-	46.5	50.3	0.9850



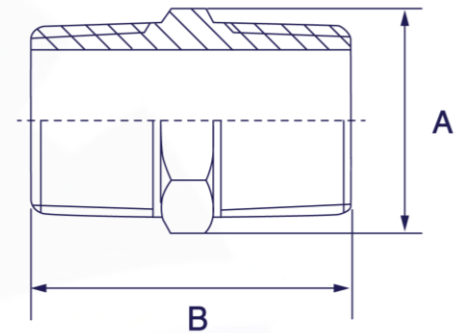
REDUCING TEE (NPT THREADED)

Size	Part No.	Impa Code	A	B	Weight (Kg)
1/4" x 1/8"	FL-S-TR-N-150-04-02	-	17.2	15.3	
3/8" x 1/8"	FL-S-TR-N-150-06-02	-	17.8	17.0	0.0630
3/8" x 1/4"	FL-S-TR-N-150-06-04	-	19.1	20.2	0.0630
1/2" x 1/4"	FL-S-TR-N-150-08-04	-	19.0	21.5	0.1380
1/2" x 3/8"	FL-S-TR-N-150-08-06	-	20.5	21.9	0.1380
3/4" x 3/8"	FL-S-TR-N-150-12-06	-	21.5	24.6	0.2018
3/4" x 1/2"	FL-S-TR-N-150-12-08	-	24.0	27.7	0.2018
1" x 3/8"	FL-S-TR-N-150-16-06	-	23.0	28.0	0.2929
1" x 1/2"	FL-S-TR-N-150-16-08	-	26.0	31.1	0.2929
1" x 3/4"	FL-S-TR-N-150-16-12	-	29.0	32.1	0.2929
1 1/4" x 1/2"	FL-S-TR-N-150-20-08	-	28.5	34.5	0.5520
1 1/4" x 3/4"	FL-S-TR-N-150-20-12	-	31.0	36.5	0.5520
1 1/4" x 1"	FL-S-TR-N-150-20-16	-	34.5	39.0	0.5520
1 1/2" x 1/2"	FL-S-TR-N-150-24-08	-	29.0	38.4	0.7450
1 1/2" x 3/4"	FL-S-TR-N-150-24-12	-	31.5	39.4	0.7450
1 1/2" x 1"	FL-S-TR-N-150-24-16	-	35.0	41.9	0.7450
1 1/2" x 1 1/4"	FL-S-TR-N-150-24-20	-	39.5	44.4	0.7450
2" x 1/2"	FL-S-TR-N-150-32-08	-	33.0	44.3	0.9850
2" x 3/4"	FL-S-TR-N-150-32-12	-	35.5	45.3	0.9850
2" x 1"	FL-S-TR-N-150-32-16	-	39.0	47.8	0.9850
2" x 1 1/4"	FL-S-TR-N-150-32-20	-	43.5	50.3	0.9850
2" x 1 1/2"	FL-S-TR-N-150-32-24	-	46.5	50.3	0.9850



HEX NIPPLE (BSPT THREADED)

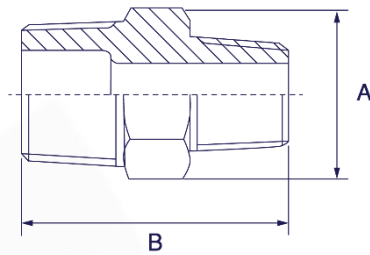
Size	Part No.	Impa Code	A	B	Weight (Kg)
1/8"	FL-S-NH-R-150-02	73 25 46	12.0	29.5	0.0163
1/4"	FL-S-NH-R-150-04	73 25 47	14.0	26.0	0.0310
3/8"	FL-S-NH-R-150-06	73 25 48	18.0	28.0	0.0418
1/2"	FL-S-NH-R-150-08	73 25 49	22.0	33.5	0.0615
3/4"	FL-S-NH-R-150-12	73 25 50	28.0	38.0	0.0912
1"	FL-S-NH-R-150-16	73 25 51	35.0	41.5	0.1468
1 1/4"	FL-S-NH-R-150-20	73 25 52	44.0	47.5	0.2050
1 1/2"	FL-S-NH-R-150-24	73 25 53	50.0	47.5	0.2706
2"	FL-S-NH-R-150-32	73 25 54	62.0	55.0	0.4360
2 1/2"	FL-S-NH-R-150-40	-	78.0	67.0	0.8210
3"	FL-S-NH-R-150-48	-	91.0	75.0	1.0813
4"	FL-S-NH-R-150-64	-	116.0	81.0	1.5380


HEX NIPPLE (NPT THREADED)

Size	Part No.	Impa Code	A	B	Weight (Kg)
1/8"	FL-S-NH-N-150-02	-	12.0	29.5	0.0163
1/4"	FL-S-NH-N-150-04	-	14.0	26.0	0.0310
3/8"	FL-S-NH-N-150-06	-	18.0	28.0	0.0418
1/2"	FL-S-NH-N-150-08	-	22.0	33.5	0.0615
3/4"	FL-S-NH-N-150-12	-	28.0	38.0	0.0912
1"	FL-S-NH-N-150-16	-	35.0	41.5	0.1468
1 1/4"	FL-S-NH-N-150-20	-	44.0	47.5	0.2050
1 1/2"	FL-S-NH-N-150-24	-	50.0	47.5	0.2706
2"	FL-S-NH-N-150-32	-	62.0	55.0	0.4360
2 1/2"	FL-S-NH-N-150-40	-	78.0	67.0	0.8210
3"	FL-S-NH-N-150-48	-	91.0	75.0	1.0813
4"	FL-S-NH-N-150-64	-	116.0	81.0	1.5380

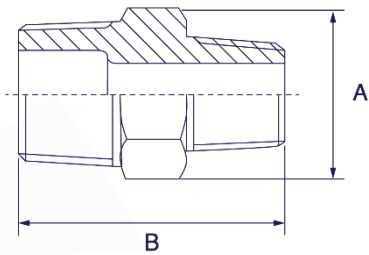
REDUCING HEX NIPPLE (BSPT THREADED)

Size	Part No.	Impa Code	A	B	Weight (Kg)
1/4" x 1/8"	FL-S-NR-R-150-04-02	-	14.5	22.5	0.0184
3/8" x 1/8"	FL-S-NR-R-150-06-02	-	18.0	24.0	0.0407
3/8" x 1/4"	FL-S-NR-R-150-06-04	-	18.0	26.5	0.0407
1/2" x 1/8"	FL-S-NR-R-150-08-02	-	21.4	27.5	0.0585
1/2" x 1/4"	FL-S-NR-R-150-08-04	-	21.4	30.0	0.0585
1/2" x 3/8"	FL-S-NR-R-150-08-06	-	21.4	30.5	0.0585
3/4" x 1/8"	FL-S-NR-R-150-12-02	-	27.0	29.0	0.0881
3/4" x 1/4"	FL-S-NR-R-150-12-04	-	27.0	31.5	0.0881
3/4" x 3/8"	FL-S-NR-R-150-12-06	-	27.0	32.0	0.0881
3/4" x 1/2"	FL-S-NR-R-150-12-08	-	27.0	35.5	0.0881
1" x 1/8"	FL-S-NR-R-150-16-02	-	34.0	32.0	0.1490
1" x 1/4"	FL-S-NR-R-150-16-04	-	34.0	34.5	0.1490
1" x 3/8"	FL-S-NR-R-150-16-06	-	34.0	35.0	0.1490
1" x 1/2"	FL-S-NR-R-150-16-08	-	34.0	38.5	0.1490
1" x 3/4"	FL-S-NR-R-150-16-12	-	34.0	39.5	0.1490
1 1/4" x 1/4"	FL-S-NR-R-150-20-04	-	42.7	37.5	0.2358
1 1/4" x 3/8"	FL-S-NR-R-150-20-06	-	42.7	38.0	0.2358
1 1/4" x 1/2"	FL-S-NR-R-150-20-08	-	42.7	41.5	0.2358
1 1/4" x 3/4"	FL-S-NR-R-150-20-12	-	42.7	42.5	0.2358
1 1/4" x 1"	FL-S-NR-R-150-20-16	-	42.7	45.0	0.2358
1 1/2" x 3/8"	FL-S-NR-R-150-24-06	-	48.6	38.0	0.3066
1 1/2" x 1/2"	FL-S-NR-R-150-24-08	-	48.6	41.5	0.3066
1 1/2" x 3/4"	FL-S-NR-R-150-24-12	-	48.6	42.5	0.3066
1 1/2" x 1"	FL-S-NR-R-150-24-16	-	48.6	45.0	0.3066
1 1/2" x 1 1/4"	FL-S-NR-R-150-24-20	-	48.6	47.5	0.3066
2" x 1/2"	FL-S-NR-R-150-32-08	-	60.5	45.5	0.4308
2" x 3/4"	FL-S-NR-R-150-32-12	-	60.5	46.5	0.4308
2" x 1"	FL-S-NR-R-150-32-16	-	60.5	49.0	0.4308
2" x 1 1/4"	FL-S-NR-R-150-32-20	-	60.5	51.5	0.4308
2" x 1 1/2"	FL-S-NR-R-150-32-24	-	60.5	51.5	0.4308
2 1/2" x 1"	FL-S-NR-R-150-40-16	-	78.0	52.0	0.7000
2 1/2" x 1 1/4"	FL-S-NR-R-150-40-20	-	78.0	54.5	0.7300
2 1/2" x 1 1/2"	FL-S-NR-R-150-40-24	-	78.0	54.5	0.7390
2 1/2" x 2"	FL-S-NR-R-150-40-32	-	78.0	59.0	0.9340
3" x 1 1/4"	FL-S-NR-R-150-48-20	-	91.0	58.0	1.0160
3" x 1 1/2"	FL-S-NR-R-150-48-24	-	91.0	58.0	1.0880
3" x 2"	FL-S-NR-R-150-48-32	-	91.0	62.5	1.0690
3" x 2 1/2"	FL-S-NR-R-150-48-40	-	91.0	62.5	1.3810
4" x 1 1/2"	FL-S-NR-R-150-64-24	-	116.0	64.5	1.7540
4" x 2"	FL-S-NR-R-150-64-32	-	116.0	69.0	1.7540
4" x 2 1/2"	FL-S-NR-R-150-64-40	-	116.0	71.0	1.7500
4" x 3"	FL-S-NR-R-150-64-48	-	116.0	74.0	2.2000



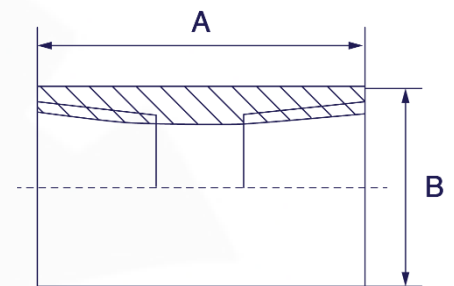
REDUCING HEX NIPPLE (NPT THREADED)

Size	Part No.	Impa Code	A	B	Weight (Kg)
1/4" x 1/8"	FL-S-NR-N-150-04-02	-	14.5	22.5	0.0184
3/8" x 1/8"	FL-S-NR-N-150-06-02	-	18.0	24.0	0.0407
3/8" x 1/4"	FL-S-NR-N-150-06-04	-	18.0	26.5	0.0407
1/2" x 1/8"	FL-S-NR-N-150-08-02	-	21.4	27.5	0.0585
1/2" x 1/4"	FL-S-NR-N-150-08-04	-	21.4	30.0	0.0585
1/2" x 3/8"	FL-S-NR-N-150-08-06	-	21.4	30.5	0.0585
3/4" x 1/8"	FL-S-NR-N-150-12-02	-	27.0	29.0	0.0881
3/4" x 1/4"	FL-S-NR-N-150-12-04	-	27.0	31.5	0.0881
3/4" x 3/8"	FL-S-NR-N-150-12-06	-	27.0	32.0	0.0881
3/4" x 1/2"	FL-S-NR-N-150-12-08	-	27.0	35.5	0.0881
1" x 1/8"	FL-S-NR-N-150-16-02	-	34.0	32.0	0.1490
1" x 1/4"	FL-S-NR-N-150-16-04	-	34.0	34.5	0.1490
1" x 3/8"	FL-S-NR-N-150-16-06	-	34.0	35.0	0.1490
1" x 1/2"	FL-S-NR-N-150-16-08	-	34.0	38.5	0.1490
1" x 3/4"	FL-S-NR-N-150-16-12	-	34.0	39.5	0.1490
1 1/4" x 1/4"	FL-S-NR-N-150-20-04	-	42.7	37.5	0.2358
1 1/4" x 3/8"	FL-S-NR-N-150-20-06	-	42.7	38.0	0.2358
1 1/4" x 1/2"	FL-S-NR-N-150-20-08	-	42.7	41.5	0.2358
1 1/4" x 3/4"	FL-S-NR-N-150-20-12	-	42.7	42.5	0.2358
1 1/4" x 1"	FL-S-NR-N-150-20-16	-	42.7	45.0	0.2358
1 1/2" x 3/8"	FL-S-NR-N-150-24-06	-	48.6	38.0	0.3066
1 1/2" x 1/2"	FL-S-NR-N-150-24-08	-	48.6	41.5	0.3066
1 1/2" x 3/4"	FL-S-NR-N-150-24-12	-	48.6	42.5	0.3066
1 1/2" x 1"	FL-S-NR-N-150-24-16	-	48.6	45.0	0.3066
1 1/2" x 1 1/4"	FL-S-NR-N-150-24-20	-	48.6	47.5	0.3066
2" x 1/2"	FL-S-NR-N-150-32-08	-	60.5	45.5	0.4308
2" x 3/4"	FL-S-NR-N-150-32-12	-	60.5	46.5	0.4308
2" x 1"	FL-S-NR-N-150-32-16	-	60.5	49.0	0.4308
2" x 1 1/4"	FL-S-NR-N-150-32-20	-	60.5	51.5	0.4308
2" x 1 1/2"	FL-S-NR-N-150-32-24	-	60.5	51.5	0.4308
2 1/2" x 1"	FL-S-NR-N-150-40-16	-	78.0	52.0	0.7000
2 1/2" x 1 1/4"	FL-S-NR-N-150-40-20	-	78.0	54.5	0.7300
2 1/2" x 1 1/2"	FL-S-NR-N-150-40-24	-	78.0	54.5	0.7390
2 1/2" x 2"	FL-S-NR-N-150-40-32	-	78.0	59.0	0.9340
3" x 1 1/4"	FL-S-NR-N-150-48-20	-	91.0	58.0	1.0160
3" x 1 1/2"	FL-S-NR-N-150-48-24	-	91.0	58.0	1.0880
3" x 2"	FL-S-NR-N-150-48-32	-	91.0	62.5	1.0690
3" x 2 1/2"	FL-S-NR-N-150-48-40	-	91.0	62.5	1.3810
4" x 1 1/2"	FL-S-NR-N-150-64-24	-	116.0	64.5	1.7540
4" x 2"	FL-S-NR-N-150-64-32	-	116.0	69.0	1.7540
4" x 2 1/2"	FL-S-NR-N-150-64-40	-	116.0	71.0	1.7500
4" x 3"	FL-S-NR-N-150-64-48	-	116.0	74.0	2.2000



FULL COUPLING (BSPT THREADED)

Size	Part No.	Impa Code	A	B	Weight (Kg)
1/8"	FL-S-CF-R-150-02	73 25 66	17.0	13.0	0.0160
1/4"	FL-S-CF-R-150-04	73 25 67	24.0	16.5	0.0350
3/8"	FL-S-CF-R-150-06	73 25 68	25.0	20.0	0.0460
1/2"	FL-S-CF-R-150-08	73 25 69	32.0	24.0	0.0790
3/4"	FL-S-CF-R-150-12	73 25 70	35.0	30.0	0.1040
1"	FL-S-CF-R-150-16	73 25 71	41.0	37.0	0.1810
1 1/4"	FL-S-CF-R-150-20	73 25 72	47.0	46.0	0.2700
1 1/2"	FL-S-CF-R-150-24	73 25 73	47.0	52.0	0.3080
2"	FL-S-CF-R-150-32	73 25 74	54.0	64.5	0.4660
2 1/2"	FL-S-CF-R-150-40	-	61.0	81.0	0.6530
3"	FL-S-CF-R-150-48	-	74.0	94.0	0.8320
4"	FL-S-CF-R-150-64	-	80.0	121.0	1.3390

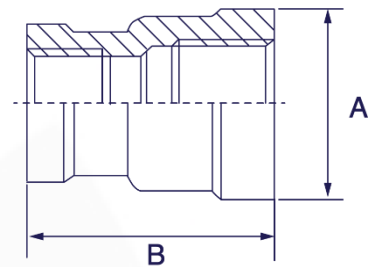


FULL COUPLING (NPT THREADED)

Size	Part No.	Impa Code	A	B	Weight (Kg)
1/8"	FL-S-CF-N-150-02	-	17.0	13.0	0.0160
1/4"	FL-S-CF-N-150-04	-	24.0	16.5	0.0350
3/8"	FL-S-CF-N-150-06	-	25.0	20.0	0.0460
1/2"	FL-S-CF-N-150-08	-	32.0	24.0	0.0790
3/4"	FL-S-CF-N-150-12	-	35.0	30.0	0.1040
1"	FL-S-CF-N-150-16	-	41.0	37.0	0.1810
1 1/4"	FL-S-CF-N-150-20	-	47.0	46.0	0.2700
1 1/2"	FL-S-CF-N-150-24	-	47.0	52.0	0.3080
2"	FL-S-CF-N-150-32	-	54.0	64.5	0.4660
2 1/2"	FL-S-CF-N-150-40	-	61.0	81.0	0.6530
3"	FL-S-CF-N-150-48	-	74.0	94.0	0.8320
4"	FL-S-CF-N-150-64	-	80.0	121.0	1.3390

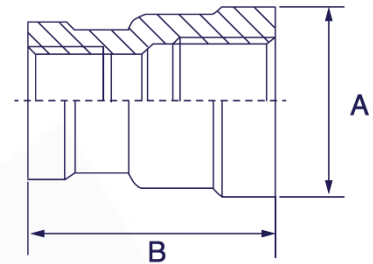
REDUCING COUPLING (BSPT THREADED)

Size	Part No.	Impa Code	A	B	Weight (Kg)
1/4" x 1/8"	FL-S-CR-R-150-04-02	-	18.0	22.8	0.0250
3/8" x 1/8"	FL-S-CR-R-150-06-02	-	22.0	24.3	0.0350
3/8" x 1/4"	FL-S-CR-R-150-06-04	-	22.0	27.5	0.0340
1/2" x 1/8"	FL-S-CR-R-150-08-02	-	26.0	21.0	0.0620
1/2" x 1/4"	FL-S-CR-R-150-08-04	-	26.0	25.0	0.0760
1/2" x 3/8"	FL-S-CR-R-150-08-06	-	26.0	28.0	0.0670
3/4" x 1/8"	FL-S-CR-R-150-12-02	-	32.0	22.0	0.0690
3/4" x 1/4"	FL-S-CR-R-150-12-04	-	32.0	24.0	0.1000
3/4" x 3/8"	FL-S-CR-R-150-12-06	-	32.0	24.5	0.0990
3/4" x 1/2"	FL-S-CR-R-150-12-08	-	32.0	32.5	0.1080
1" x 1/4"	FL-S-CR-R-150-16-04	-	39.0	26.5	0.1680
1" x 3/8"	FL-S-CR-R-150-16-06	-	39.0	27.0	0.1840
1" x 1/2"	FL-S-CR-R-150-16-08	-	39.0	29.5	0.1890
1" x 3/4"	FL-S-CR-R-150-16-12	-	39.0	36.4	0.1480
1 1/4" x 1/8"	FL-S-CR-R-150-20-02	-	48.0	26.5	0.2150
1 1/4" x 1/4"	FL-S-CR-R-150-20-04	-	48.0	29.0	0.2150
1 1/4" x 3/8"	FL-S-CR-R-150-20-06	-	48.0	29.5	0.2150
1 1/4" x 1/2"	FL-S-CR-R-150-20-08	-	48.0	32.0	0.2150
1 1/4" x 3/4"	FL-S-CR-R-150-20-12	-	48.0	33.0	0.2150
1 1/4" x 1"	FL-S-CR-R-150-20-16	-	48.0	42.0	0.2230
1 1/2" x 1/8"	FL-S-CR-R-150-24-02	-	54.0	26.5	0.2860
1 1/2" x 1/4"	FL-S-CR-R-150-24-04	-	54.0	29.0	0.2860
1 1/2" x 3/8"	FL-S-CR-R-150-24-06	-	54.0	30.0	0.2860
1 1/2" x 1/2"	FL-S-CR-R-150-24-08	-	54.0	32.0	0.2860
1 1/2" x 3/4"	FL-S-CR-R-150-24-12	-	54.0	33.0	0.2780
1 1/2" x 1"	FL-S-CR-R-150-24-16	-	54.0	34.5	0.2870
1 1/2" x 1 1/4"	FL-S-CR-R-150-24-20	-	54.0	44.3	0.3170
2" x 1/4"	FL-S-CR-R-150-32-04	-	66.0	32.5	0.3680
2" x 3/8"	FL-S-CR-R-150-32-06	-	66.0	33.0	0.3680
2" x 1/2"	FL-S-CR-R-150-32-08	-	66.0	35.5	0.3680
2" x 3/4"	FL-S-CR-R-150-32-12	-	66.0	36.5	0.3960
2" x 1"	FL-S-CR-R-150-32-16	-	66.0	38.0	0.4690
2" x 1 1/4"	FL-S-CR-R-150-32-20	-	66.0	40.0	0.4000
2" x 1 1/2"	FL-S-CR-R-150-32-24	-	66.0	47.8	0.4400
2 1/2" x 1"	FL-S-CR-R-150-40-16	-	80.2	42.0	0.5260
2 1/2" x 1 1/4"	FL-S-CR-R-150-40-20	-	81.2	44.0	0.6130
2 1/2" x 1 1/2"	FL-S-CR-R-150-40-24	-	81.2	45.0	0.5540
2 1/2" x 2"	FL-S-CR-R-150-40-32	-	81.2	47.0	0.8800
3" x 1 1/4"	FL-S-CR-R-150-48-20	-	98.0	47.0	0.7230
3" x 1 1/2"	FL-S-CR-R-150-48-24	-	98.0	48.0	0.6990
3" x 2"	FL-S-CR-R-150-48-32	-	98.0	50.0	0.7100
3" x 2 1/2"	FL-S-CR-R-150-48-40	-	98.0	51.0	1.3100
4" x 1 1/2"	FL-S-CR-R-150-64-24	-	124.0	54.0	1.2930
4" x 2"	FL-S-CR-R-150-64-32	-	124.0	56.0	1.2930
4" x 2 1/2"	FL-S-CR-R-150-64-40	-	124.0	57.0	1.2930
4" x 3"	FL-S-CR-R-150-64-48	-	124.0	60.0	0.9690



REDUCING COUPLING (NPT THREADED)

Size	Part No.	Impa Code	A	B	Weight (Kg)
1/4" x 1/8"	FL-S-CR-N-150-04-02	-	18.0	22.8	0.0250
3/8" x 1/8"	FL-S-CR-N-150-06-02	-	22.0	24.3	0.0350
3/8" x 1/4"	FL-S-CR-N-150-06-04	-	22.0	27.5	0.0340
1/2" x 1/8"	FL-S-CR-N-150-08-02	-	26.0	21.0	0.0620
1/2" x 1/4"	FL-S-CR-N-150-08-04	-	26.0	25.0	0.0760
1/2" x 3/8"	FL-S-CR-N-150-08-06	-	26.0	28.0	0.0670
3/4" x 1/8"	FL-S-CR-N-150-12-02	-	32.0	22.0	0.0690
3/4" x 1/4"	FL-S-CR-N-150-12-04	-	32.0	24.0	0.1000
3/4" x 3/8"	FL-S-CR-N-150-12-06	-	32.0	24.5	0.0990
3/4" x 1/2"	FL-S-CR-N-150-12-08	-	32.0	32.5	0.1080
1" x 1/4"	FL-S-CR-N-150-16-04	-	39.0	26.5	0.1680
1" x 3/8"	FL-S-CR-N-150-16-06	-	39.0	27.0	0.1840
1" x 1/2"	FL-S-CR-N-150-16-08	-	39.0	29.5	0.1890
1" x 3/4"	FL-S-CR-N-150-16-12	-	39.0	36.4	0.1480
1 1/4" x 1/8"	FL-S-CR-N-150-20-02	-	48.0	26.5	0.2150
1 1/4" x 1/4"	FL-S-CR-N-150-20-04	-	48.0	29.0	0.2150
1 1/4" x 3/8"	FL-S-CR-N-150-20-06	-	48.0	29.5	0.2150
1 1/4" x 1/2"	FL-S-CR-N-150-20-08	-	48.0	32.0	0.2150
1 1/4" x 3/4"	FL-S-CR-N-150-20-12	-	48.0	33.0	0.2150
1 1/4" x 1"	FL-S-CR-N-150-20-16	-	48.0	42.0	0.2230
1 1/2" x 1/8"	FL-S-CR-N-150-24-02	-	54.0	26.5	0.2860
1 1/2" x 1/4"	FL-S-CR-N-150-24-04	-	54.0	29.0	0.2860
1 1/2" x 3/8"	FL-S-CR-N-150-24-06	-	54.0	30.0	0.2860
1 1/2" x 1/2"	FL-S-CR-N-150-24-08	-	54.0	32.0	0.2860
1 1/2" x 3/4"	FL-S-CR-N-150-24-12	-	54.0	33.0	0.2780
1 1/2" x 1"	FL-S-CR-N-150-24-16	-	54.0	34.5	0.2870
1 1/2" x 1 1/4"	FL-S-CR-N-150-24-20	-	54.0	44.3	0.3170
2" x 1/4"	FL-S-CR-N-150-32-04	-	66.0	32.5	0.3680
2" x 3/8"	FL-S-CR-N-150-32-06	-	66.0	33.0	0.3680
2" x 1/2"	FL-S-CR-N-150-32-08	-	66.0	35.5	0.3680
2" x 3/4"	FL-S-CR-N-150-32-12	-	66.0	36.5	0.3960
2" x 1"	FL-S-CR-N-150-32-16	-	66.0	38.0	0.4690
2" x 1 1/4"	FL-S-CR-N-150-32-20	-	66.0	40.0	0.4000
2" x 1 1/2"	FL-S-CR-N-150-32-24	-	66.0	47.8	0.4400
2 1/2" x 1"	FL-S-CR-N-150-40-16	-	80.2	42.0	0.5260
2 1/2" x 1 1/4"	FL-S-CR-N-150-40-20	-	81.2	44.0	0.6130
2 1/2" x 1 1/2"	FL-S-CR-N-150-40-24	-	81.2	45.0	0.5540
2 1/2" x 2"	FL-S-CR-N-150-40-32	-	81.2	47.0	0.8800
3" x 1 1/4"	FL-S-CR-N-150-48-20	-	98.0	47.0	0.7230
3" x 1 1/2"	FL-S-CR-N-150-48-24	-	98.0	48.0	0.6990
3" x 2"	FL-S-CR-N-150-48-32	-	98.0	50.0	0.7100
3" x 2 1/2"	FL-S-CR-N-150-48-40	-	98.0	51.0	1.3100
4" x 1 1/2"	FL-S-CR-N-150-64-24	-	124.0	54.0	1.2930
4" x 2"	FL-S-CR-N-150-64-32	-	124.0	56.0	1.2930
4" x 2 1/2"	FL-S-CR-N-150-64-40	-	124.0	57.0	1.2930
4" x 3"	FL-S-CR-N-150-64-48	-	124.0	60.0	0.9690



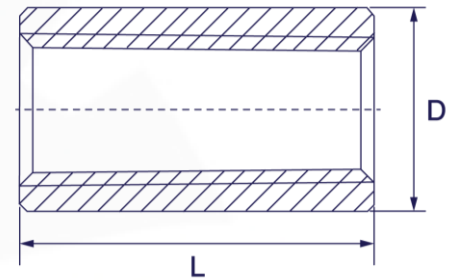
HALF COUPLING (BSPT THREADED)

Size	Part No.	Impa Code	L	D	Weight (Kg)
1/4"	FL-S-CH-G-150-04	-	13	16.5	0.015
3/8"	FL-S-CH-G-150-06	-	13	20.5	0.015
1/2"	FL-S-CH-G-150-08	-	17	24.5	0.015
3/4"	FL-S-CH-G-150-12	-	18	30.0	0.400
1"	FL-S-CH-G-150-16	-	22	37.5	0.070
1 1/4"	FL-S-CH-G-150-20	-	23	46.5	0.090
1 1/2"	FL-S-CH-G-150-24	-	23	53.0	0.110
2"	FL-S-CH-G-150-32	-	27	65.5	0.160



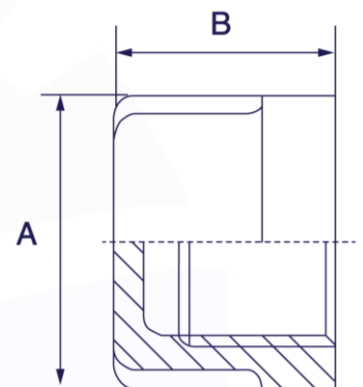
HALF COUPLING (NPT THREADED)

Size	Part No.	Impa Code	L	D	Weight (Kg)
1/4"	FL-S-CH-N-150-04	-	13	16.5	0.015
3/8"	FL-S-CH-N-150-06	-	13	20.5	0.015
1/2"	FL-S-CH-N-150-08	-	17	24.5	0.030
3/4"	FL-S-CH-N-150-12	-	18	30.0	0.040
1"	FL-S-CH-N-150-16	-	22	37.5	0.070
1 1/4"	FL-S-CH-N-150-20	-	23	46.5	0.090
1 1/2"	FL-S-CH-N-150-24	-	23	53.0	0.110
2"	FL-S-CH-N-150-32	-	27	65.5	0.160



ROUND CAP (BSPT THREADED)

Size	Part No.	Impa Code	A	B	Weight (Kg)
1/8"	FL-S-CR-R-150-02	73 25 36	12.5	11.8	0.0086
1/4"	FL-S-CR-R-150-04	73 25 37	16.0	15.0	0.0173
3/8"	FL-S-CR-R-150-06	73 25 38	19.5	15.4	0.0235
1/2"	FL-S-CR-R-150-08	73 25 39	24.0	17.1	0.0372
3/4"	FL-S-CR-R-150-12	73 25 40	29.5	18.5	0.0613
1"	FL-S-CR-R-150-16	73 25 41	36.5	21.0	0.0963
1 1/4"	FL-S-CR-R-150-20	73 25 42	45.5	23.7	0.1488
1 1/2"	FL-S-CR-R-150-24	73 25 43	52.0	23.7	0.1725
2"	FL-S-CR-R-150-32	73 25 44	64.0	27.5	0.3056
2 1/2"	FL-S-CR-R-150-40	-	81.0	31.7	0.3965
3"	FL-S-CR-R-150-48	-	94.5	35.1	0.6560
4"	FL-S-CR-R-150-64	-	120.5	41.6	1.0635

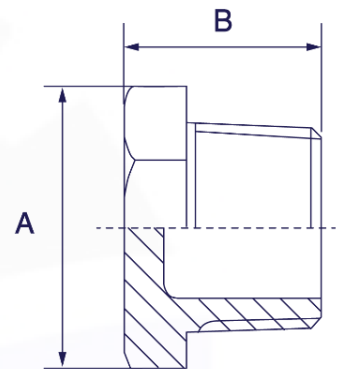


ROUND CAP (NPT THREADED)

Size	Part No.	Impa Code	A	B	Weight (Kg)
1/8"	FL-S-CR-N-150-02	-	12.5	11.8	0.0086
1/4"	FL-S-CR-N-150-04	-	16.0	15.0	0.0173
3/8"	FL-S-CR-N-150-06	-	19.5	15.4	0.0235
1/2"	FL-S-CR-N-150-08	-	24.0	17.1	0.0372
3/4"	FL-S-CR-N-150-12	-	29.5	18.5	0.0613
1"	FL-S-CR-N-150-16	-	36.5	21.0	0.0963
1 1/4"	FL-S-CR-N-150-20	-	45.5	23.7	0.1488
1 1/2"	FL-S-CR-N-150-24	-	52.0	23.7	0.1725
2"	FL-S-CR-N-150-32	-	64.0	27.5	0.3056
2 1/2"	FL-S-CR-N-150-40	-	81.0	31.7	0.3965
3"	FL-S-CR-N-150-48	-	94.5	35.1	0.6560
4"	FL-S-CR-N-150-64	-	120.5	41.6	1.0635

HEX PLUG (BSPT THREADED)

Size	Part No.	Impa Code	A	B	Weight (Kg)
1/8"	FL-S-PH-R-150-02	-	12.0	12.0	0.0140
1/4"	FL-S-PH-R-150-04	-	14.5	14.5	0.0263
3/8"	FL-S-PH-R-150-06	-	18.0	16.0	0.0295
1/2"	FL-S-PH-R-150-08	-	22.0	19.5	0.0445
3/4"	FL-S-PH-R-150-12	-	28.0	22.0	0.0703
1"	FL-S-PH-R-150-16	-	35.0	24.8	0.1080
1 1/4"	FL-S-PH-R-150-20	-	44.0	28.8	0.1972
1 1/2"	FL-S-PH-R-150-24	-	50.0	28.8	0.2310
2"	FL-S-PH-R-150-32	-	62.0	33.5	0.3481
2 1/2"	FL-S-PH-R-150-40	-	78.0	34.0	0.6056
3"	FL-S-PH-R-150-48	-	91.0	37.5	0.8307
4"	FL-S-PH-R-150-64	-	116.0	44.0	1.2414

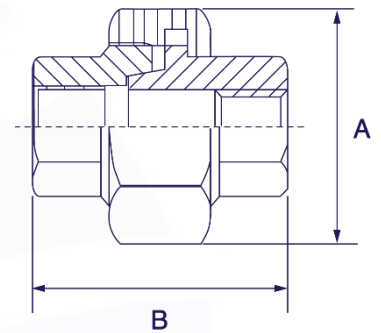


HEX PLUG (NPT THREADED)

Size	Part No.	Impa Code	A	B	Weight (Kg)
1/8"	FL-S-PH-N-150-02	-	12.0	12.0	0.0140
1/4"	FL-S-PH-N-150-04	-	14.5	14.5	0.0263
3/8"	FL-S-PH-N-150-06	-	18.0	16.0	0.0295
1/2"	FL-S-PH-N-150-08	-	22.0	19.5	0.0445
3/4"	FL-S-PH-N-150-12	-	28.0	22.0	0.0703
1"	FL-S-PH-N-150-16	-	35.0	24.8	0.1080
1 1/4"	FL-S-PH-N-150-20	-	44.0	28.8	0.1972
1 1/2"	FL-S-PH-N-150-24	-	50.0	28.8	0.2310
2"	FL-S-PH-N-150-32	-	62.0	33.5	0.3481
2 1/2"	FL-S-PH-N-150-40	-	78.0	34.0	0.6056
3"	FL-S-PH-N-150-48	-	91.0	37.5	0.8307
4"	FL-S-PH-N-150-64	-	116.0	44.0	1.2414

UNION F/F CONICAL (BSPT THREADED)

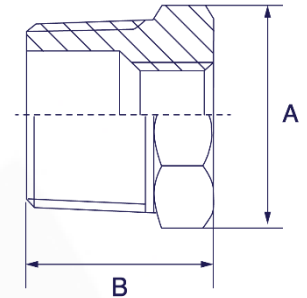
Size	Part No.	Impa Code	A	B	Weight (Kg)
1/8"	FL-S-UC-R-150-02	73 26 16	29.1	25.0	0.0540
1/4"	FL-S-UC-R-150-04	73 26 17	29.1	33.9	0.1000
3/8"	FL-S-UC-R-150-06	73 26 18	34.0	36.0	0.1300
1/2"	FL-S-UC-R-150-08	73 26 19	37.5	39.0	0.1700
3/4"	FL-S-UC-R-150-12	73 26 20	44.5	41.0	0.2600
1"	FL-S-UC-R-150-16	73 26 21	53.5	50.0	0.3500
1 1/4"	FL-S-UC-R-150-20	73 26 22	64.0	51.0	0.5400
1 1/2"	FL-S-UC-R-150-24	73 26 23	71.5	57.0	0.6200
2"	FL-S-UC-R-150-32	73 26 24	85.5	62.0	1.0100
2 1/2"	FL-S-UC-R-150-40	-	101.0	68.5	1.8790
3"	FL-S-UC-R-150-48	-	117.0	78.0	2.5910
4"	FL-S-UC-R-150-64	-	147.0	91.5	4.3400


UNION F/F CONICAL (NPT THREADED)

Size	Part No.	Impa Code	A	B	Weight (Kg)
1/8"	FL-S-UC-N-150-02	-	29.1	25.0	0.0540
1/4"	FL-S-UC-N-150-04	-	29.1	33.9	0.1000
3/8"	FL-S-UC-N-150-06	-	34.0	36.0	0.1300
1/2"	FL-S-UC-N-150-08	-	37.5	39.0	0.1700
3/4"	FL-S-UC-N-150-12	-	44.5	41.0	0.2600
1"	FL-S-UC-N-150-16	-	53.5	50.0	0.3500
1 1/4"	FL-S-UC-N-150-20	-	64.0	51.0	0.5400
1 1/2"	FL-S-UC-N-150-24	-	71.5	57.0	0.6200
2"	FL-S-UC-N-150-32	-	85.5	62.0	1.0100
2 1/2"	FL-S-UC-N-150-40	-	101.0	68.5	1.8790
3"	FL-S-UC-N-150-48	-	117.0	78.0	2.5910
4"	FL-S-UC-N-150-64	-	147.0	91.5	4.3400

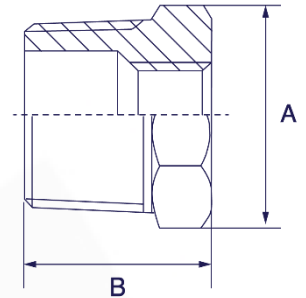
HEX BUSHING (BSPT THREADED)

Size	Part No.	Impa Code	A	B	Weight (Kg)
1/4" x 1/8"	FL-S-BH-R-150-04-02	73 25 81	14.5	14.5	0.0182
3/8" x 1/8"	FL-S-BH-R-150-06-02	-	18.0	16.0	0.0274
3/8" x 1/4"	FL-S-BH-R-150-06-04	73 25 82	18.0	16.0	0.0274
1/2" x 1/8"	FL-S-BH-R-150-08-02	-	21.4	19.5	0.0440
1/2" x 1/4"	FL-S-BH-R-150-08-04	-	21.4	19.5	0.0440
1/2" x 3/8"	FL-S-BH-R-150-08-06	73 25 83	21.4	19.5	0.0440
3/4" x 1/8"	FL-S-BH-R-150-12-02	-	27.0	21.0	0.0684
3/4" x 1/4"	FL-S-BH-R-150-12-04	-	27.0	21.0	0.0684
3/4" x 3/8"	FL-S-BH-R-150-12-06	-	27.0	21.0	0.0684
3/4" x 1/2"	FL-S-BH-R-150-12-08	73 25 84	27.0	21.0	0.0684
1" x 1/4"	FL-S-BH-R-150-16-04	-	33.9	24.0	0.1085
1" x 3/8"	FL-S-BH-R-150-16-06	-	33.9	24.0	0.1085
1" x 1/2"	FL-S-BH-R-150-16-08	-	33.9	24.0	0.1085
1" x 3/4"	FL-S-BH-R-150-16-12	73 25 85	33.9	24.0	0.1085
1 1/4" x 1/4"	FL-S-BH-R-150-20-04	-	42.7	27.0	0.1740
1 1/4" x 3/8"	FL-S-BH-R-150-20-06	-	42.7	27.0	0.1740
1 1/4" x 1/2"	FL-S-BH-R-150-20-08	-	42.7	27.0	0.1740
1 1/4" x 3/4"	FL-S-BH-R-150-20-12	-	42.7	27.0	0.1740
1 1/4" x 1"	FL-S-BH-R-150-20-16	73 25 86	42.7	27.0	0.1740
1 1/2" x 1/4"	FL-S-BH-R-150-24-04	-	48.6	27.0	0.2274
1 1/2" x 3/8"	FL-S-BH-R-150-24-06	-	48.6	27.0	0.2274
1 1/2" x 1/2"	FL-S-BH-R-150-24-08	-	48.6	27.0	0.2274
1 1/2" x 3/4"	FL-S-BH-R-150-24-12	-	48.6	27.0	0.2274
1 1/2" x 1"	FL-S-BH-R-150-24-16	-	48.6	27.0	0.2274
1 1/2" x 1 1/4"	FL-S-BH-R-150-24-20	73 25 87	48.6	27.0	0.2274
2" x 1/4"	FL-S-BH-R-150-32-04	-	60.5	31.0	0.3750
2" x 3/8"	FL-S-BH-R-150-32-06	-	60.5	31.0	0.3750
2" x 1/2"	FL-S-BH-R-150-32-08	-	60.5	31.0	0.3750
2" x 3/4"	FL-S-BH-R-150-32-12	-	60.5	31.0	0.3750
2" x 1"	FL-S-BH-R-150-32-16	-	60.5	31.0	0.3750
2" x 1 1/4"	FL-S-BH-R-150-32-20	-	60.5	31.0	0.3750
2" x 1 1/2"	FL-S-BH-R-150-32-24	73 25 88	60.5	31.0	0.3750



HEX BUSHING (NPT THREADED)

Size	Part No.	Impa Code	A	B	Weight (Kg)
1/4" x 1/8"	FL-S-BH-N-150-04-02	-	14.5	14.5	0.0182
3/8" x 1/8"	FL-S-BH-N-150-06-02	-	18.0	16.0	0.0274
3/8" x 1/4"	FL-S-BH-N-150-06-04	-	18.0	16.0	0.0274
1/2" x 1/8"	FL-S-BH-N-150-08-02	-	21.4	19.5	0.0440
1/2" x 1/4"	FL-S-BH-N-150-08-04	-	21.4	19.5	0.0440
1/2" x 3/8"	FL-S-BH-N-150-08-06	-	21.4	19.5	0.0440
3/4" x 1/8"	FL-S-BH-N-150-12-02	-	27.0	21.0	0.0684
3/4" x 1/4"	FL-S-BH-N-150-12-04	-	27.0	21.0	0.0684
3/4" x 3/8"	FL-S-BH-N-150-12-06	-	27.0	21.0	0.0684
3/4" x 1/2"	FL-S-BH-N-150-12-08	-	27.0	21.0	0.0684
1" x 1/4"	FL-S-BH-N-150-16-04	-	33.9	24.0	0.1085
1" x 3/8"	FL-S-BH-N-150-16-06	-	33.9	24.0	0.1085
1" x 1/2"	FL-S-BH-N-150-16-08	-	33.9	24.0	0.1085
1" x 3/4"	FL-S-BH-N-150-16-12	-	33.9	24.0	0.1085
1 1/4" x 1/4"	FL-S-BH-N-150-20-04	-	42.7	27.0	0.1740
1 1/4" x 3/8"	FL-S-BH-N-150-20-06	-	42.7	27.0	0.1740
1 1/4" x 1/2"	FL-S-BH-N-150-20-08	-	42.7	27.0	0.1740
1 1/4" x 3/4"	FL-S-BH-N-150-20-12	-	42.7	27.0	0.1740
1 1/4" x 1"	FL-S-BH-N-150-20-16	-	42.7	27.0	0.1740
1 1/2" x 1/4"	FL-S-BH-N-150-24-04	-	48.6	27.0	0.2274
1 1/2" x 3/8"	FL-S-BH-N-150-24-06	-	48.6	27.0	0.2274
1 1/2" x 1/2"	FL-S-BH-N-150-24-08	-	48.6	27.0	0.2274
1 1/2" x 3/4"	FL-S-BH-N-150-24-12	-	48.6	27.0	0.2274
1 1/2" x 1"	FL-S-BH-N-150-24-16	-	48.6	27.0	0.2274
1 1/2" x 1 1/4"	FL-S-BH-N-150-24-20	-	48.6	27.0	0.2274
2" x 1/4"	FL-S-BH-N-150-32-04	-	60.5	31.0	0.3750
2" x 3/8"	FL-S-BH-N-150-32-06	-	60.5	31.0	0.3750
2" x 1/2"	FL-S-BH-N-150-32-08	-	60.5	31.0	0.3750
2" x 3/4"	FL-S-BH-N-150-32-12	-	60.5	31.0	0.3750
2" x 1"	FL-S-BH-N-150-32-16	-	60.5	31.0	0.3750
2" x 1 1/4"	FL-S-BH-N-150-32-20	-	60.5	31.0	0.3750
2" x 1 1/2"	FL-S-BH-N-150-32-24	-	60.5	31.0	0.3750





AF HYDRO

Conditions of Use of Catalogue:

The information in the catalogue are not binding and in order to improve distribution, AF Hydro reserves the right to make any change including size and pressure ratings considered necessary at any time and without prior notice. According to the copyright and the civil law, any reproduction (also partial) of figures and texts of this catalogue by means of electronic, mechanical, photocopies, microfilms, recordings or other is forbidden without AF Hydro's authorization.