



ANSI 150# Cast Steel

Flange End BALL VALVES

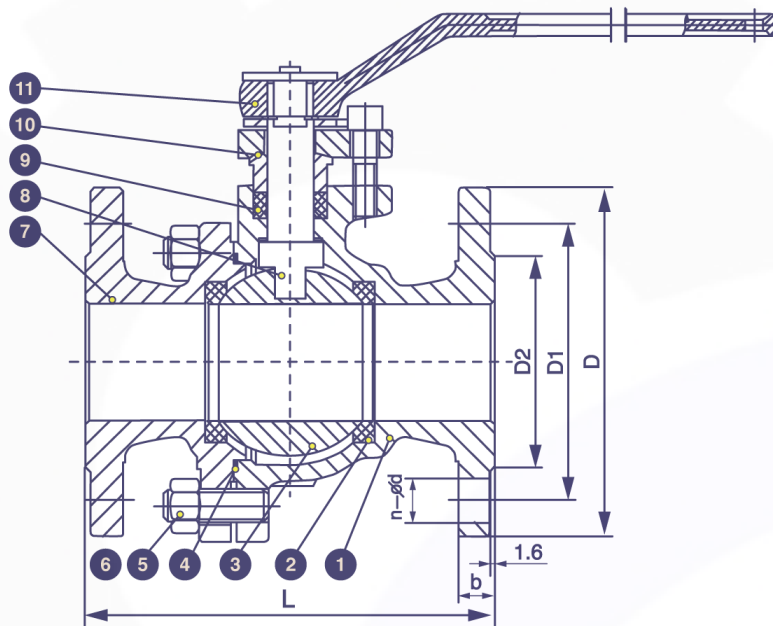


Features

- Full Bore
- Solid Ball with Phosphatized Body
- ANSI 150# Flange Connection
- Sizes: 3/4" – 6" (DN20 – DN150)
- Working Pressure: 150#
- Valve Body Material: A216 WCB
- Applicable Medium: General Oil, Gas & Water Applications
- Non-fire Safe Design
- Temperature: -29 Deg C to 150 Deg C



**ANSI 150# Cast Steel
Flange End Ball Valves**



Technical Specifications

1. Basic design and manufacture according to API 608
2. Face-to-face dimensions complies with ASME B16.10
3. Flange ends complied with ASME B16.5
4. Inspection and tested according to API 598

Main Technical Parameter			
Normal pressure		150#	
Test pressure	Shell pressure test	3.0	MPa
	Sealing pressure test	2.2	
	Air pressure test	0.6	
Max working temperature		-29 to 150°C	
Applicable medium: General oil, gas & water			

Material List

No.	Part Name	Material	No.	Part Name	Material
1	Right Body	A216 WCB	8	Stem	A182 F304
2	Seat	PTFE	9	Packing	Graphite
3	Ball	A182 F304	10	Gland	A216 WCB
4	Gasket	SS304 + Graphite	11	Handle	CS + Zn
5	Nuts	A194 2H			
6	Bolts	A193 B7			
7	Left Body	A216 WCB			

Ordering Information

VL	-	CS	-	B2	-	F	-	150	-	08
I		II		III		IV		V		VI

I	Type of Item		
VL	Low Pressure Valves		

II	Material Grade		
S	SS316, CF8M	CI	Cast Iron
FS	Forged Steel	CS	Cast Steel
B	Brass		

III	Item		
GA	Gate Valve	B1	1 PC Ball Valve
GL	Globe Valve	B2	2 PC Ball Valve
YS	Y-Strainer	B3	3 PC Ball Valve
SC	Swing Check Valve	BL	3 Way Ball Valve L Port
VC	Vertical Check Valve	BT	3 Way Ball Valve T Port
WC	Wafer Check Valve	BMF	Male x Female Mini Ball Valve
DD	Dual Disk	BU	Butterfly Valve

IV	Connection Type		
SW	S/W	G	BSPP
BW	B/W	N	NPT
R	BSPT	F	Flange End
W	Wafer	L	Lug

V	Pressure		
200	200 PSI	2000	2000 PSI
300	300 PSI	150	ANSI 150# Flange Standard
600	600 PSI	10K	JIS 10K Flange Standard
800	800 PSI	PN16	PN 16 Flange Standard
1000	1000 PSI		

For Inch OD & Inch NB Sizes

VI	Size							
Size	1/8"	1/4"	5/16"	3/8"	1/2"	5/8"	3/4"	1"
Code	02	04	05	06	08	10	12	16
Size	1 1/4"	1 1/2"	2"	2 1/2"	3"	4"	5"	6"
Code	20	24	32	40	48	64	80	96

VII	Coating		
(None)	No Additional Coating		
NI	Nickel Plating		

Dimension List

NPS (DN)	Connection	Impa Code	Part No	D	D1	D2	B	L	H	W	N- M	F	Weight (Kg)
1/2"	Flange End	-	VL-S-B2-F-150-08	89	60.5	35	11.2	108	73	130	4-16	1.6	-
3/4"	Flange End	-	VL-S-B2-F-150-12	98	70	43	11.2	117	76	130	4-16	1.6	1.95
1"	Flange End	-	VL-S-B2-F-150-16	108	79	50	12.7	127	86	160	4-16	1.6	2.90
1 1/4"	Flange End	-	VL-S-B2-F-150-20	117	89	64	12.7	140	91	160	4-16	1.6	3.33
1 1/2"	Flange End	-	VL-S-B2-F-150-24	127	98.6	73	14.3	165	119	200	4-16	1.6	5.22
2"	Flange End	-	VL-S-B2-F-150-32	152	120.7	92	19	178	127	200	4-19	1.6	7.86
2 1/2"	Flange End	-	VL-S-B2-F-150-40	178	139.7	105	22	190	136	200	4-18	1.6	10.38
3"	Flange End	-	VL-S-B2-F-150-48	190	152.4	127	23.9	203	164	325	8-18	1.6	15.55
4"	Flange End	-	VL-S-B2-F-150-64	228	190.5	157	23.9	229	218	325	8-18	1.6	24.00
5"	Flange End	-	VL-S-B2-F-150-80	253	216	186	23.9	356	248	500	8-22	2	45.35
6"	Flange End	-	VL-S-B2-F-150-96	279	241	216	25	394	250	800	8-22	2	61.45

Part Number Reference

Impa Code	Part No	Description
-	VL-CS-B2-F-150-08	1/2" 150# SS316 FLANGE END BALL VALVE WITH ISO MOUNTING PAD, FIRE SAFE DESIGN
-	VL-CS-B2-F-150-12	3/4" 150# SS316 FLANGE END BALL VALVE WITH ISO MOUNTING PAD, FIRE SAFE DESIGN
-	VL-CS-B2-F-150-16	1" 150# SS316 FLANGE END BALL VALVE WITH ISO MOUNTING PAD, FIRE SAFE DESIGN
-	VL-CS-B2-F-150-20	1 1/4" 150# SS316 FLANGE END BALL VALVE WITH ISO MOUNTING PAD, FIRE SAFE DESIGN
-	VL-CS-B2-F-150-24	1 1/2" 150# SS316 FLANGE END BALL VALVE WITH ISO MOUNTING PAD, FIRE SAFE DESIGN
-	VL-CS-B2-F-150-32	2" 150# SS316 FLANGE END BALL VALVE WITH ISO MOUNTING PAD, FIRE SAFE DESIGN
-	VL-CS-B2-F-150-40	2 1/2" 150# SS316 FLANGE END BALL VALVE WITH ISO MOUNTING PAD, FIRE SAFE DESIGN
-	VL-CS-B2-F-150-48	3" 150# SS316 FLANGE END BALL VALVE WITH ISO MOUNTING PAD, FIRE SAFE DESIGN
-	VL-CS-B2-F-150-64	4" 150# SS316 FLANGE END BALL VALVE WITH ISO MOUNTING PAD, FIRE SAFE DESIGN
-	VL-CS-B2-F-150-80	5" 150# SS316 FLANGE END BALL VALVE WITH ISO MOUNTING PAD, FIRE SAFE DESIGN
-	VL-CS-B2-F-150-96	6" 150# SS316 FLANGE END BALL VALVE WITH ISO MOUNTING PAD, FIRE SAFE DESIGN



ANSI 150# Cast Steel Flange End Ball Valves



AF HYDRO

Conditions of Use of Catalogue:

The information in the catalogue are not binding and in order to improve distribution, AF Hydro reserves the right to make any change including size and pressure ratings considered necessary at any time and without prior notice. According to the copyright and the civil law, any reproduction (also partial) of figures and texts of this catalogue by means of electronic, mechanical, photocopies, microfilms, recordings or other is forbidden without AF Hydro's authorization.